

# Quick Start Guide

## *GV-IP Camera*



- GV-GBLF4802 / 4813
- GV-GDRF4800
- GV-GEBF4802 / 4813
- GV-GVD4810

Before attempting to connect or operate this product, please read these instructions carefully and save this manual for future use.

T-4MP-QG-C



© 2026 GeoVision, Inc. All rights reserved.

Under the copyright laws, this manual may not be copied, in whole or in part, without the written consent of GeoVision.

Every effort has been made to ensure that the information in this manual is accurate. GeoVision, Inc. makes no expressed or implied warranty of any kind and assumes no responsibility for errors or omissions. No liability is assumed for incidental or consequential damages arising from the use of the information or products contained herein. Features and specifications are subject to change without notice.

GeoVision, Inc.  
9F, No. 246, Sec. 1, Neihu Rd.,  
Neihu District, Taipei, Taiwan  
Tel: +886-2-8797-8377  
Fax: +886-2-8797-8335  
<http://www.geovision.com.tw>

Trademarks used in this manual: *GeoVision*, the *GeoVision* logo and *GV* series products are trademarks of GeoVision, Inc. *Windows* is the registered trademark of Microsoft Corporation.

March 2026

**Scan the following QR codes for product warranty and technical support policy:**



[Warranty]



[Technical Support Policy]

## Warning and Caution

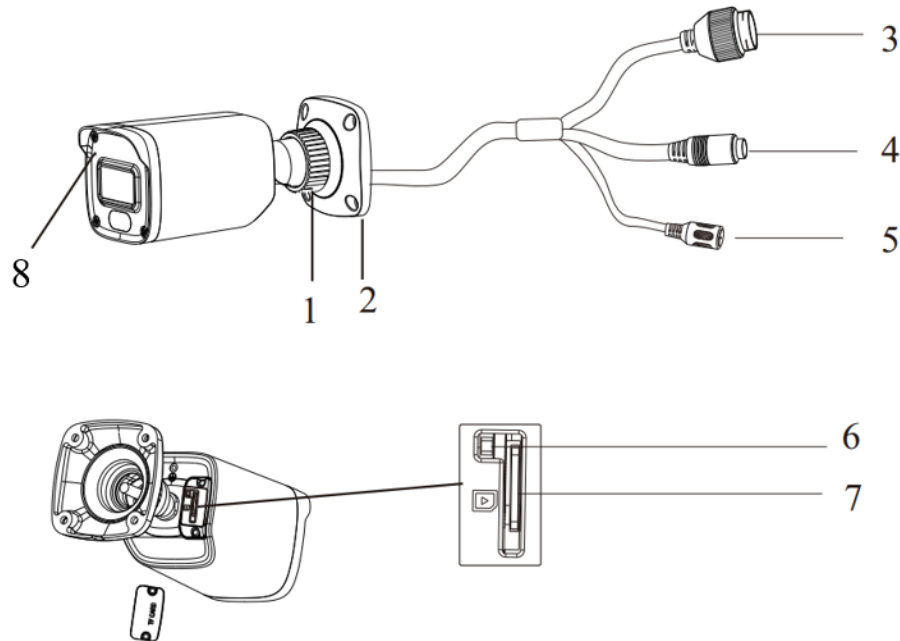
- If the product does not work properly, please contact your dealer or the nearest service center. Never attempt to disassemble the camera yourself. (We shall not be responsible for any problems caused by unauthorized repair or maintenance.)
- Do not allow water or liquid intrusion into the camera.
- In the use of the product, you must be strict compliance with the electrical safety regulations of the nation and region. When the product is mounted on the wall or ceiling, the device shall be firmly fixed.
- Do not use camera beyond specified voltage range.
- Do not drop the camera or subject it to physical shock.
- Avoid touching the camera lens.
- If cleaning is necessary, please use clean cloth to wipe it gently.
- Avoid aiming the camera directly towards the sun or other bright objects.
- Do not place the camera in extremely hot, cold, dusty, or damp locations, and do not expose it to high electromagnetic radiation.
- To avoid heat accumulation, good ventilation is required for operating environment.

# Contents

<b>1. Overview</b> .....	1
1.1 GV-GBLF4802 Overview .....	1
1.2 GV-GBLF4813 Overview .....	2
1.3 GV-GDRF4800 Overview.....	3
1.4 GV-GEBF4802 Overview .....	5
1.5 GV-GEBF4813 Overview .....	6
1.6 GV-GVD4810 Overview .....	7
<b>2. Installation</b> .....	9
2.1 Connecting the Network Cable .....	9
2.2 GV-GBLF4802 Installation .....	10
2.3 GV-GBLF4813 Installation .....	12
2.4 GV-GDRF4800 Installation .....	14
2.5 GV-GEBF4802 Installation.....	17
2.6 GV-GEBF4813 Installation.....	20
2.7 GV-GVD4810 Installation.....	23
<b>3. Accessing the Network Camera</b> .....	26
3.1 Looking Up the Dynamic IP Address.....	26
3.2 Configuring the IP Address .....	28
<b>4. The Web Interface</b> .....	29
<b>5. Upgrading System Firmware</b> .....	31
<b>6. Restoring to Factory Default</b> .....	32

# 1. Overview

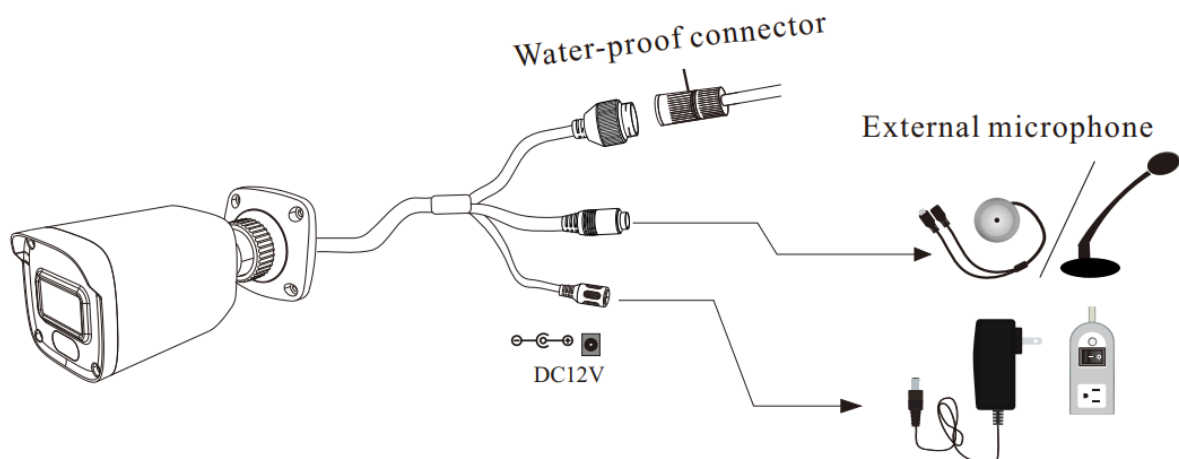
## 1.1 GV-GBLF4802 Overview



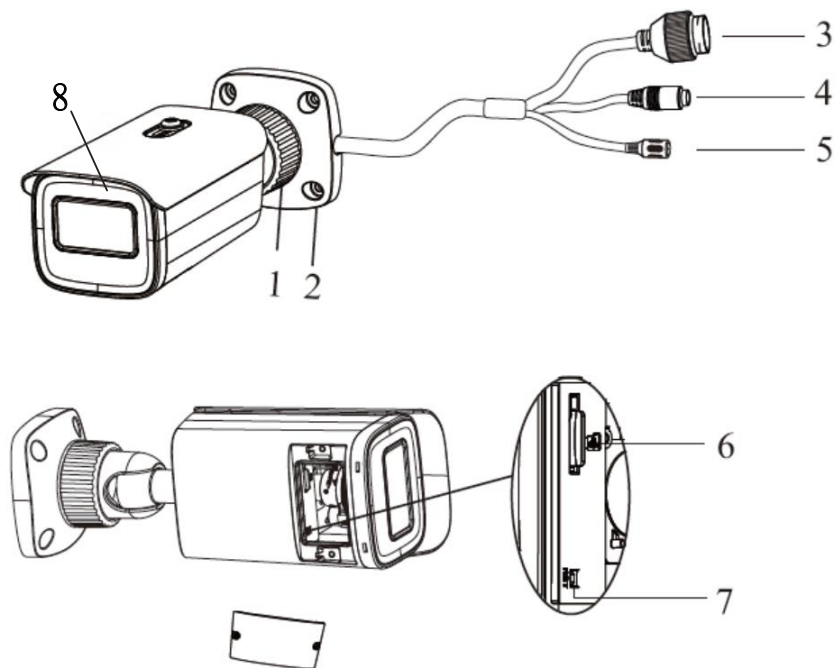
1	Fixed Ring	5	Power Connector
2	Mounting Base	6	Reset
3	Ethernet Connector	7	microSD Card Slot
4	Audio Input	8	Microphone

### Note:

1. It is recommended to install the waterproof connector for outdoor installation.
2. Press and hold the reset button for more than 10 seconds to restore to the factory default setting.



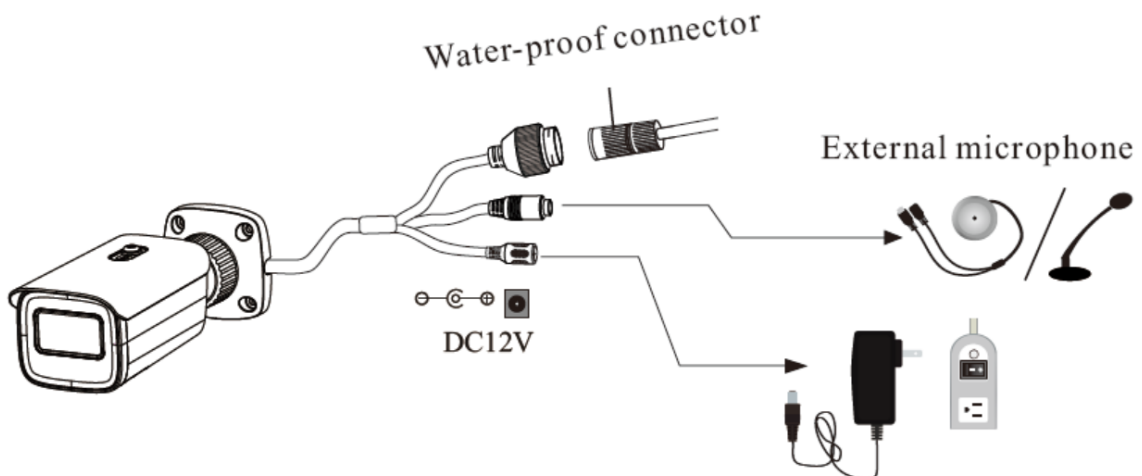
## 1.2 GV-GBLF4813 Overview



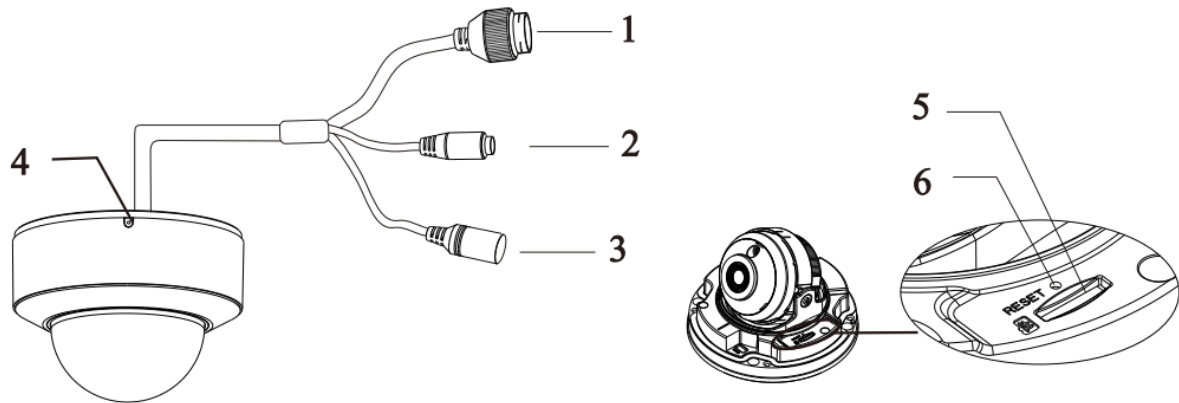
1	Fixed Ring	5	Power Connector
2	Mounting Base	6	microSD Card Slot
3	Ethernet Connector	7	Reset
4	Audio Input	8	Microphone

### Note:

1. It is recommended to install the waterproof connector for outdoor installation.
2. Press and hold the reset button for more than 10 seconds to restore to the factory default setting.



## 1.3 GV-GDRF4800 Overview



1	Ethernet Connector	4	Microphone
2	Audio Input	5	microSD Card Slot
3	Power Connector	6	Reset

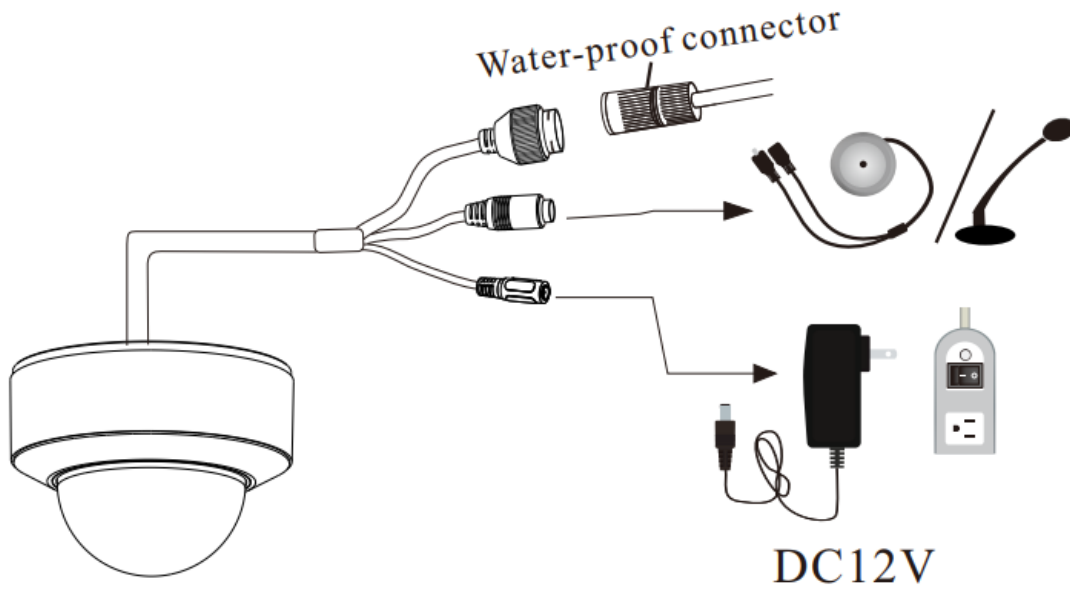
### Note:

1. It is recommended to install the waterproof connector for outdoor installation.
2. Press and hold the reset button for more than 10 seconds to restore to the factory default setting.

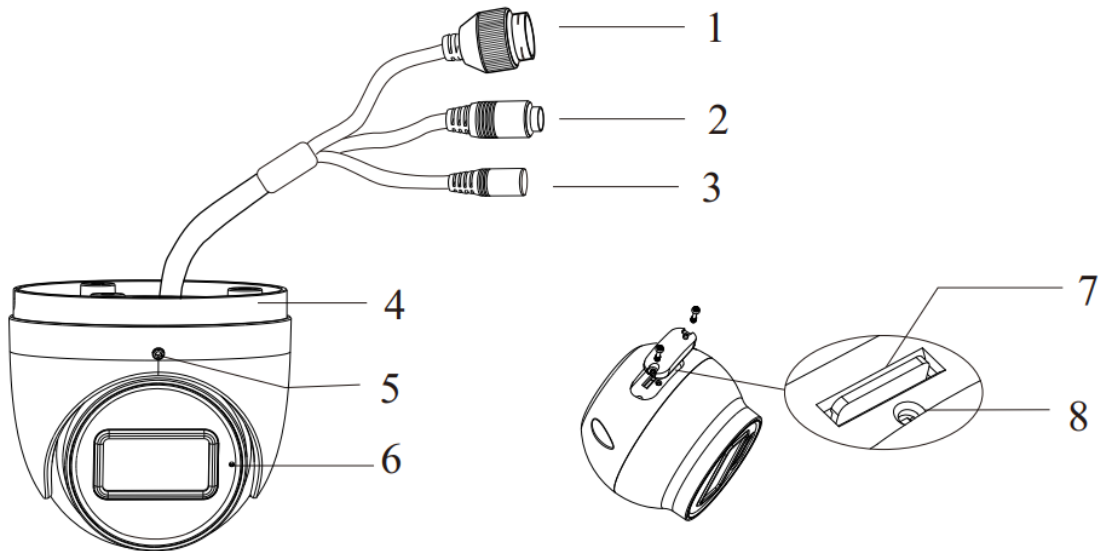
### IMPORTANT:

To avoid affecting IR or white LED performance, follow the cleaning guidelines below.

1. Do not touch or wipe the dome cover surface directly during installation or use, as acidic sweat may corrode the coating and degrade image quality.
2. Remove dust with an oil-free soft brush or a hair dryer. For smudges, gently wipe from the center outward with an oil-free cotton cloth or detergent-soaked paper. Always use a dry, soft cloth when wiping, and replace the cloth and repeat if needed.
3. Avoid using hard materials or alkaline cleaners, as they may damage the surface.



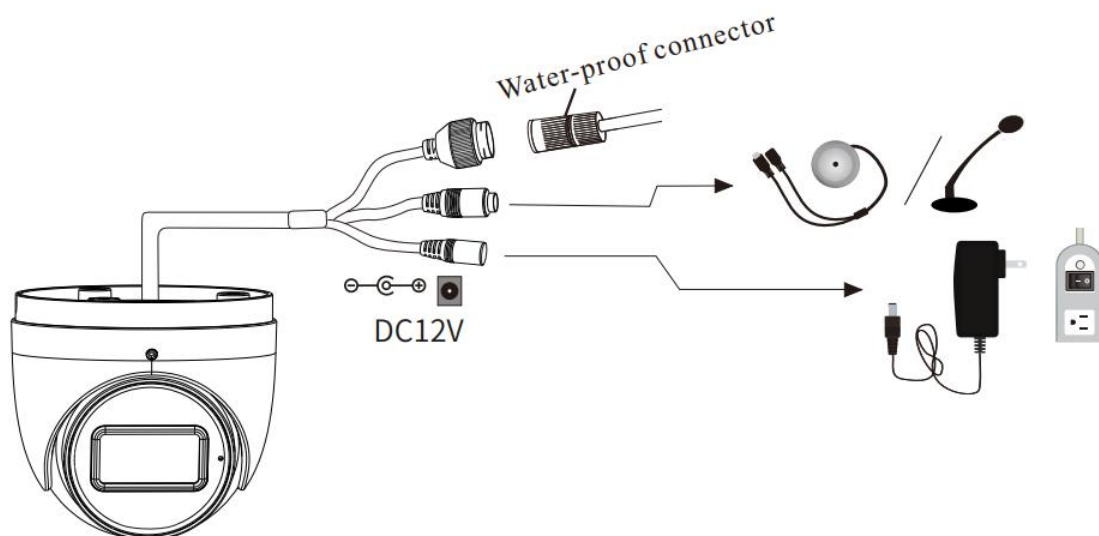
## 1.4 GV-GEBF4802 Overview



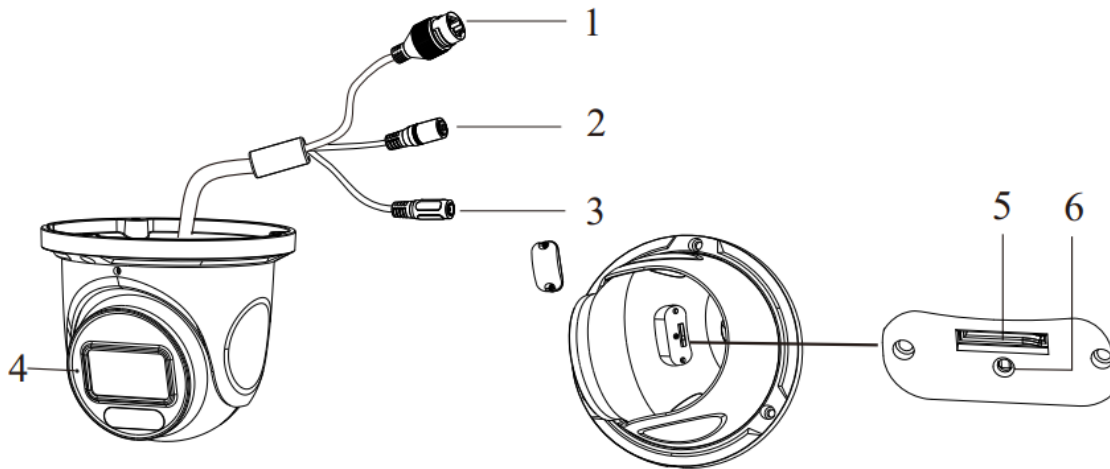
1	Ethernet Connector	5	Set Screw
2	Audio Input	6	Microphone
3	Power Connector	7	microSD Card Slot
4	Mounting Base	8	Reset

### Note:

1. It is recommended to install the waterproof connector for outdoor installation.
2. Press and hold the reset for more than 10 seconds to restore to the factory default setting.



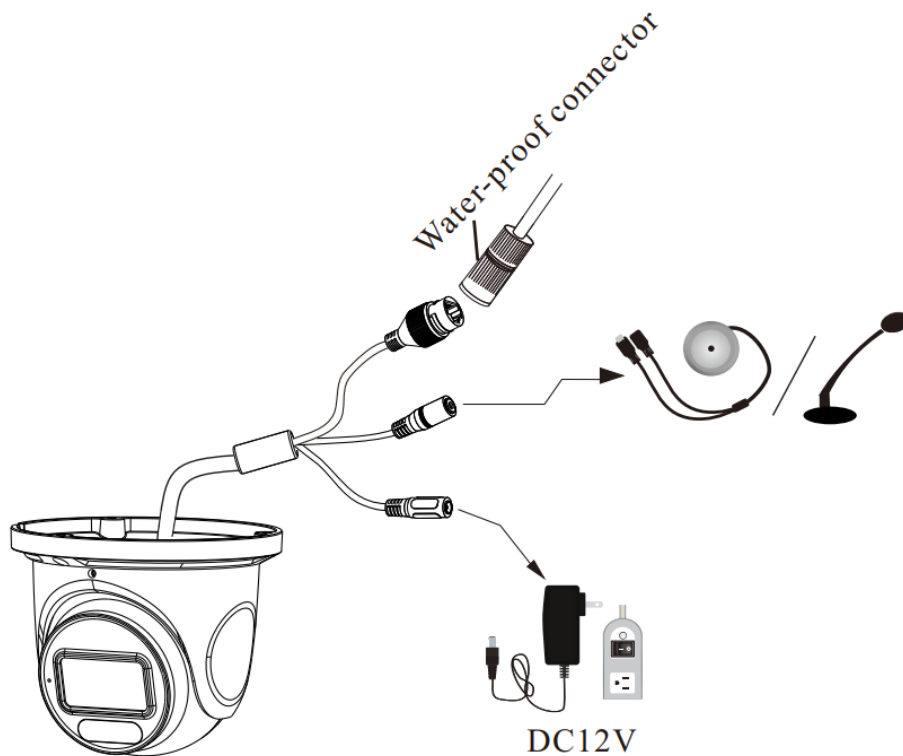
## 1.5 GV-GEBF4813 Overview



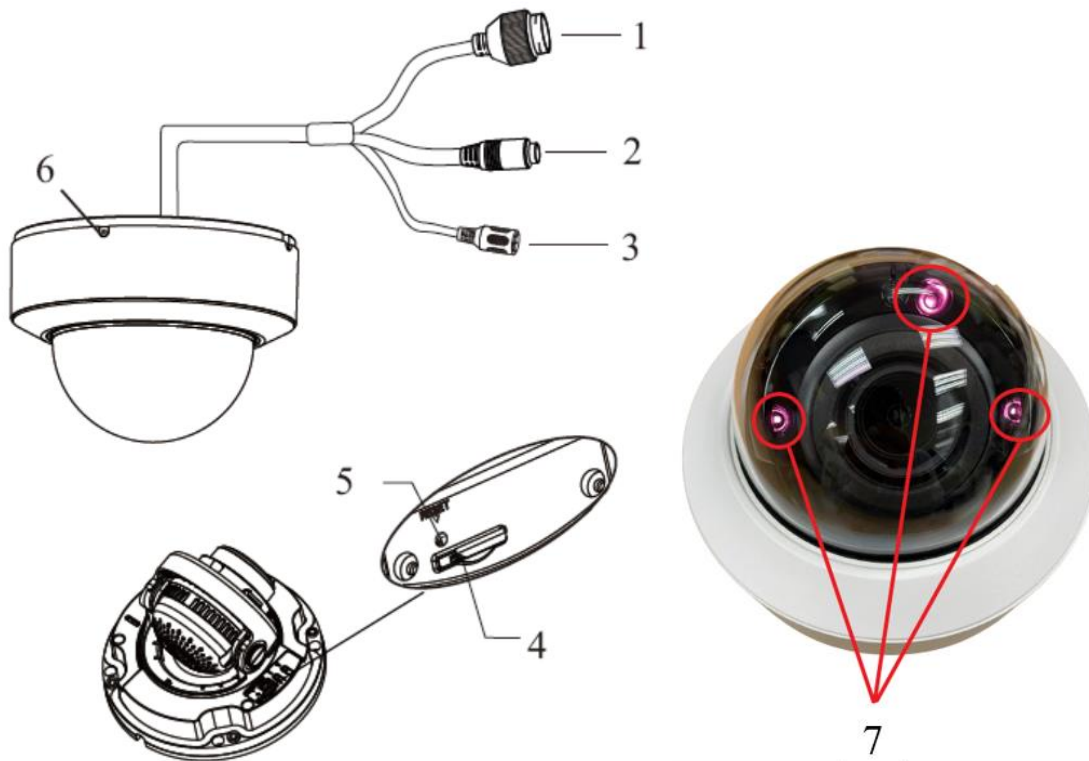
1	Ethernet Connector	4	Microphone
2	Audio Input	5	microSD Card Slot
3	Power Connector	6	Reset

**Note:**

1. It is recommended to install the waterproof connector for outdoor installation.
2. Press and hold the reset button for more than 10 seconds to restore to the factory default setting.



## 1.6 GV-GVD4810 Overview



1	Ethernet Connector	5	Reset
2	Audio Input	6	Microphone
3	Power Connector	7	IR LED x 3 (the third LED light will be on at long shots)
4	microSD Card Slot		

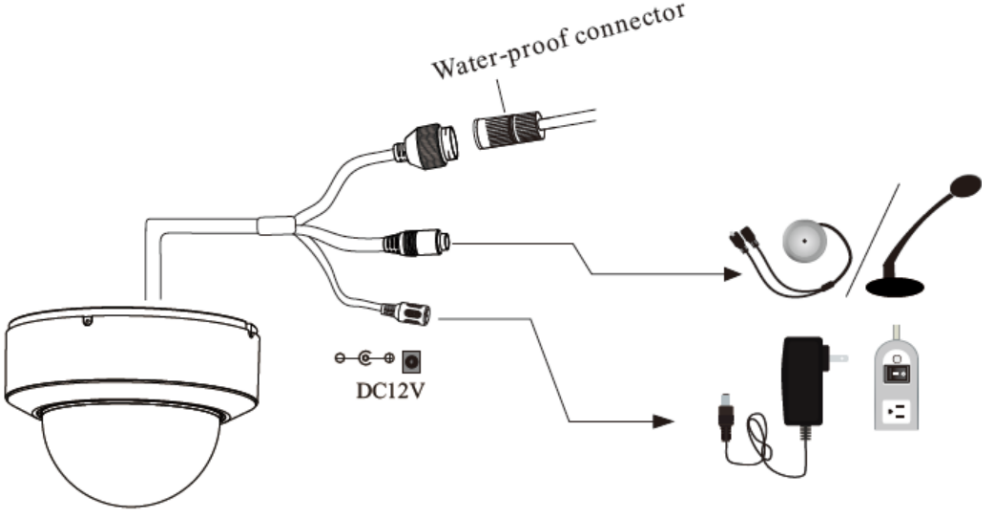
### Note:

1. It is recommended to install the waterproof connector for outdoor installation.
2. Press and hold the reset button for more than 10 seconds to restore to the factory default setting.

### IMPORTANT:

To avoid affecting IR or white LED performance, follow the cleaning guidelines below.

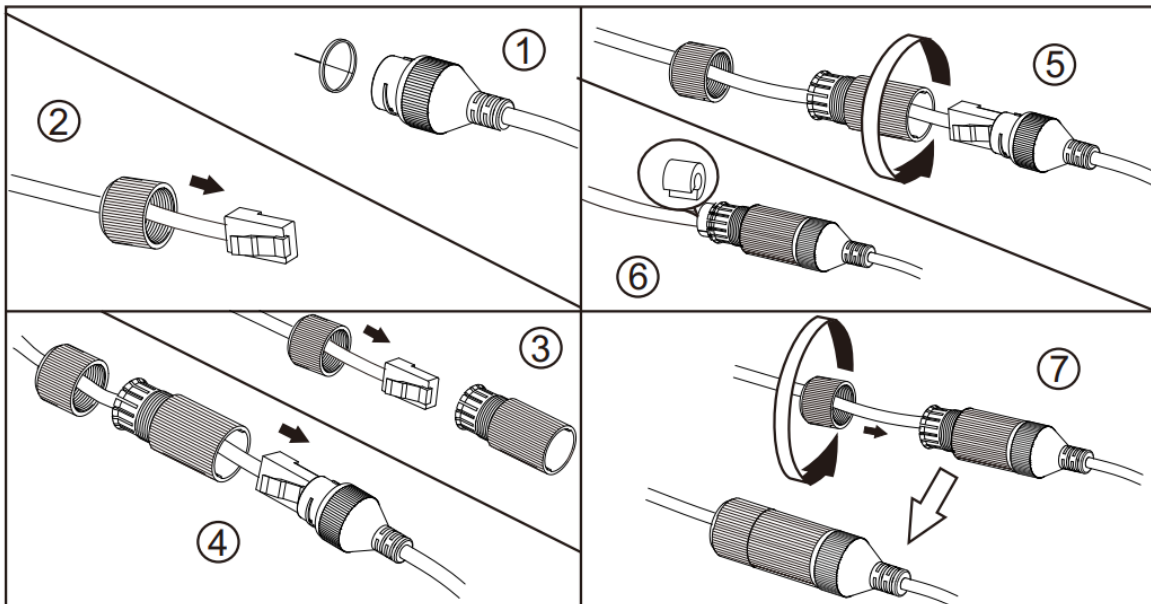
1. Do not touch or wipe the dome cover surface directly during installation or use, as acidic sweat may corrode the coating and degrade image quality.
2. Remove dust with an oil-free soft brush or a hair dryer. For smudges, gently wipe from the center outward with an oil-free cotton cloth or detergent-soaked paper. Always use a dry, soft cloth when wiping, and replace the cloth and repeat if needed.
3. Avoid using hard materials or alkaline cleaners, as they may damage the surface.



## 2. Installation

- Ensure the wall or ceiling is strong enough to support **three times** the weight of the camera.
- Install the camera in a **dry environment**. Reattach the lower dome **within 4 hours** of removing it.
- **Avoid direct contact** with the dome during installation.
- **Do not remove the protective film** until installation is complete.

### 2.1 Connecting the Network Cable

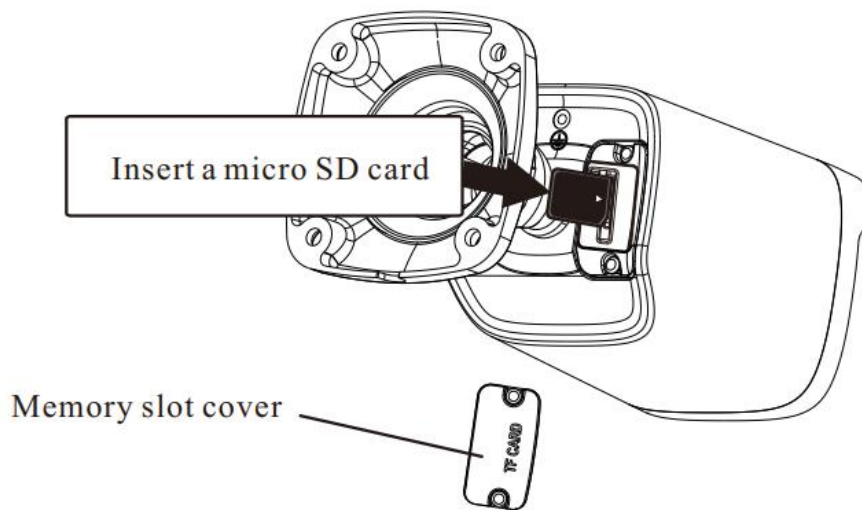


**Note:** If the RJ-45 connector of the network cable has a jacket and cannot be threaded through the kit, remove the jacket. If the jacket cannot be removed, cut off the connector and install an RJ-45 connector without the jacket.

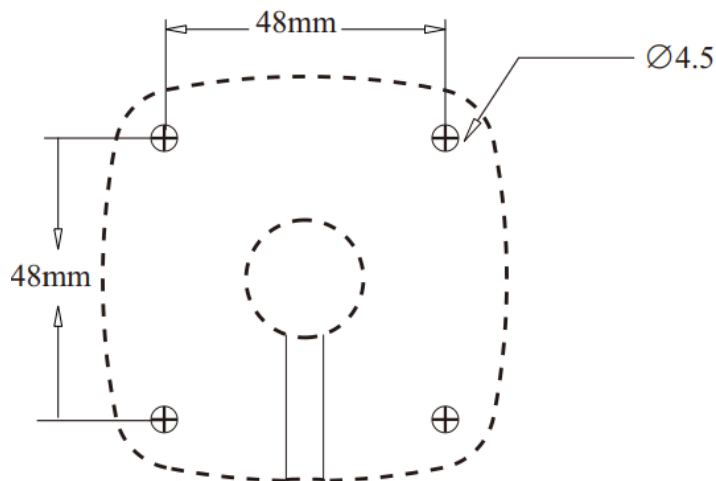
## 2.2 GV-GBLF4802 Installation

Please make sure that the wall or ceiling is strong enough to withstand 3 times the weight of the camera. Please install and use the camera in a dry environment.

1. Install a microSD card as needed. Remove the memory slot cover from the camera by loosening the two screws and then install a microSD card. After that, re-install the memory slot cover.

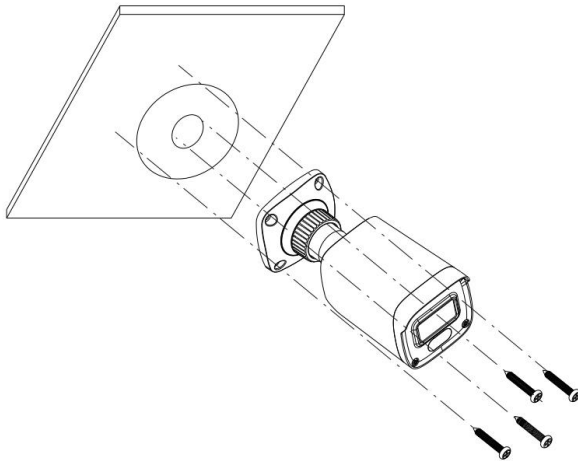


2. Attach the drill template to the place where you want to fix the camera and then drill the screw holes and the cable hole on the wall according to the drill template.

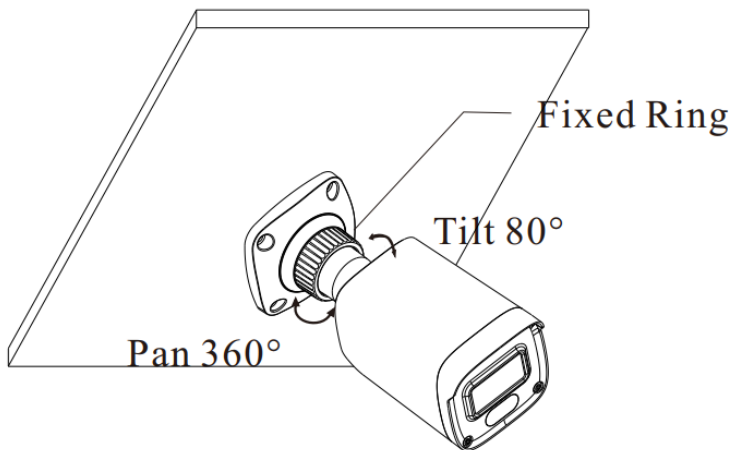


3. Route and connect the cables.

4. Secure the mounting base with the camera to the wall with screws as shown below.



5. Bracket adjustment. Before adjustment, preview the image of the camera on a monitor and then loosen the fixed ring to adjust the viewing angle of the camera.

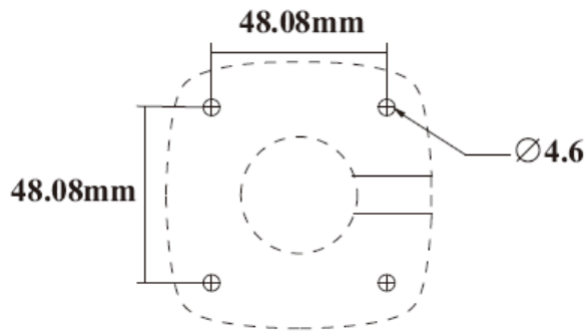


6. Tighten the fixed ring after the adjustment.

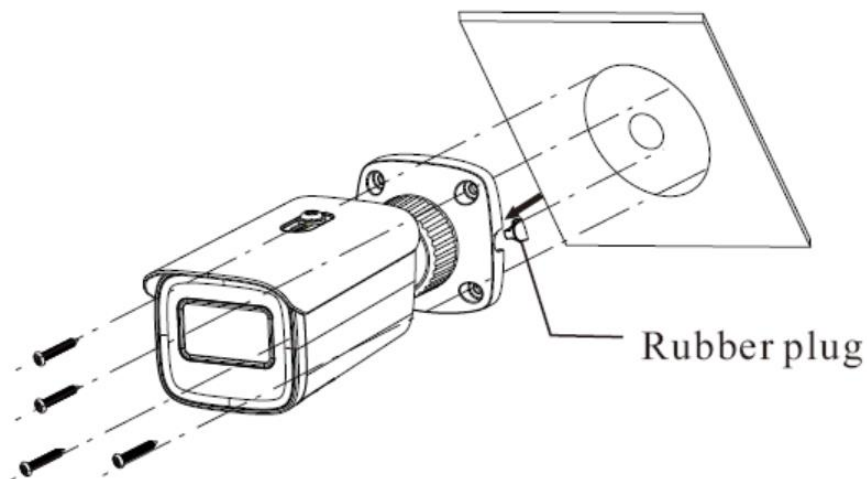
## 2.3 GV-GBLF4813 Installation

Please make sure that the wall or ceiling is strong enough to withstand 3 times the weight of the camera. Please install and use the camera in a dry environment.

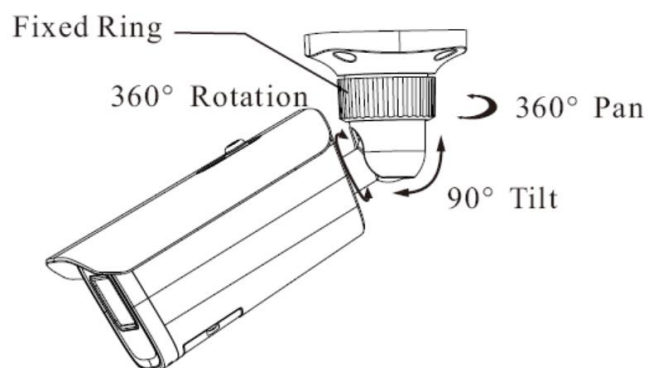
1. Drill the screw holes and the cable hole on the wall according to the drill template.



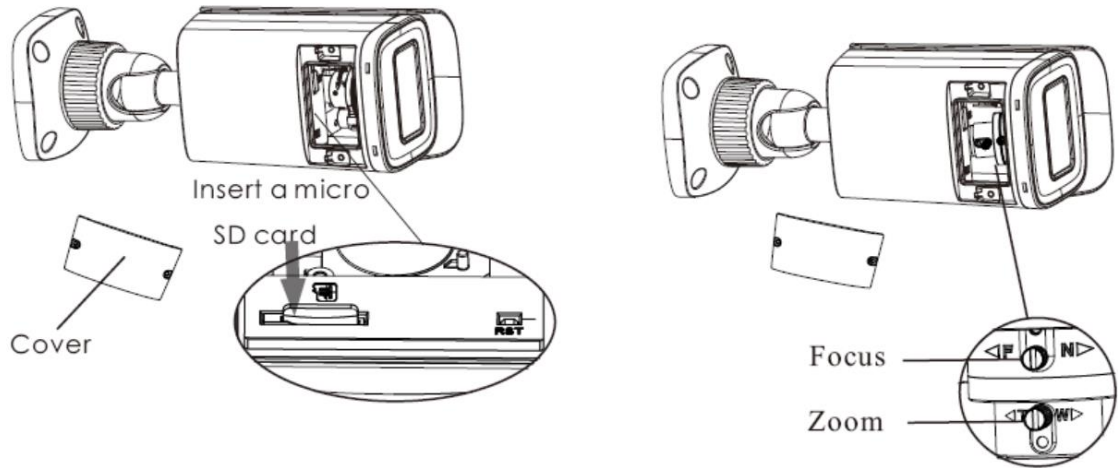
2. Route and connect the cables.
3. Secure the mounting base with camera to the wall with the screws provided.



4. Bracket adjustment. Before adjustment, preview the image of the camera on a monitor and then loosen the fixed ring to adjust the viewing angle of the camera.



5. Open the cover of the camera and then insert a microSD card. After that, adjust Zoom or Focus lever to obtain an optimum image (If the camera is fixed or motorized lens, please skip this step). Before adjustment, preview the image of the camera on a monitor.



6. Install the cover back to the camera and fix it firmly with the screws. (Note that the cover should not be installed unevenly.)

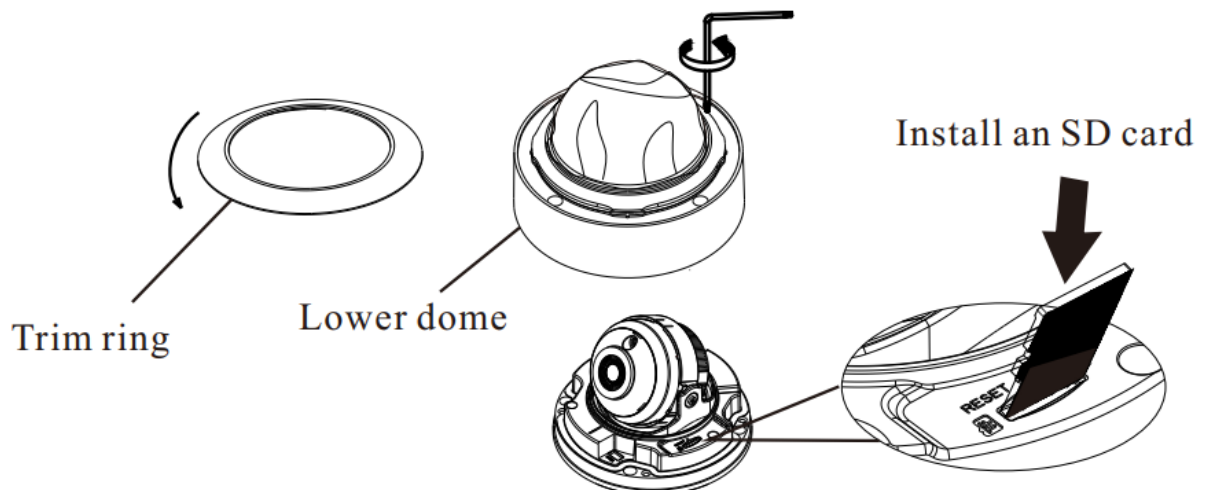
## 2.4 GV-GDRF4800 Installation

Please make sure that the wall or ceiling is strong enough to withstand 3 times the weight of the camera. Please install the camera in a dry environment. You should reinstall the cover of the camera within 4 hours after removing it. Do not remove the protection film until you finish the installation.

### IMPORTANT:

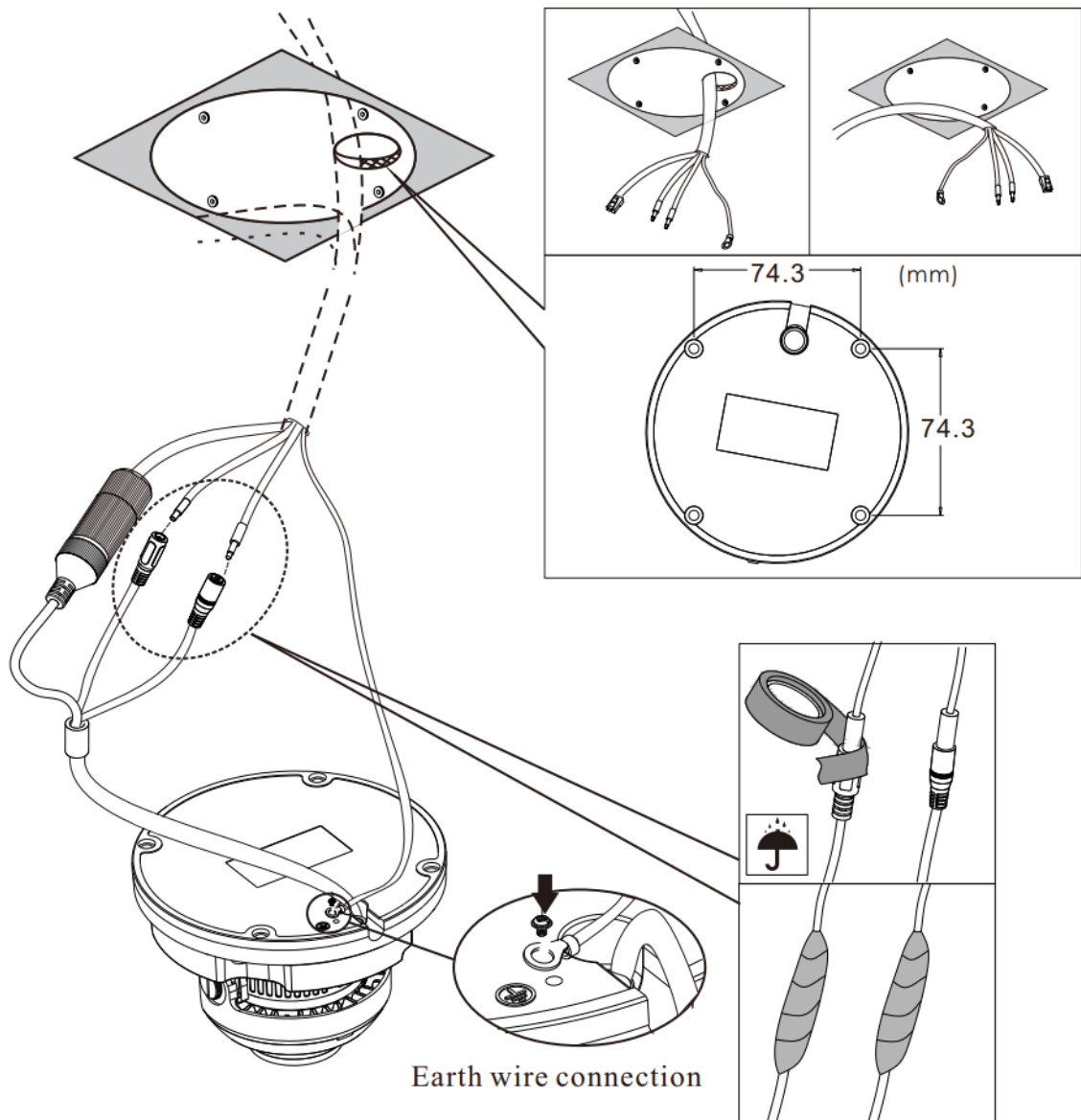
1. You must wear anti-static gloves or discharge static electricity before removing the lower dome (bubble).
2. To avoid affecting IR or white LED performance, follow the cleaning guidelines below.
  - a. Do not touch or wipe the dome cover surface directly during installation or use, as acidic sweat may corrode the coating and degrade image quality.
  - b. Remove dust with an oil-free soft brush or a hair dryer. For smudges, gently wipe from the center outward with an oil-free cotton cloth or detergent-soaked paper. Always use a dry, soft cloth when wiping, and replace the cloth and repeat if needed.
  - c. Avoid using hard materials or alkaline cleaners, as they may damage the surface.

1. Rotate the trim ring anticlockwise to remove it from the camera. Then loosen the screws to open the lower dome.

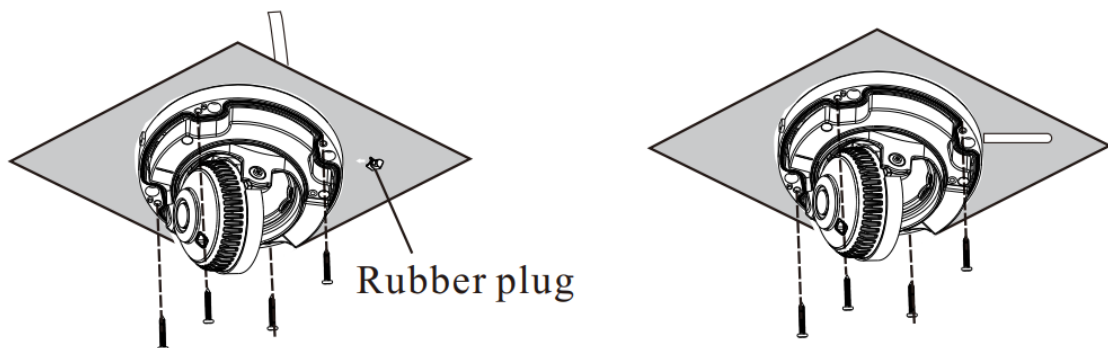


2. Attach the drill template to the place where you want to fix the camera and then drill 4 screw holes and 1 cable hole (if you want to route the cables through the ceiling) according to the drill template.

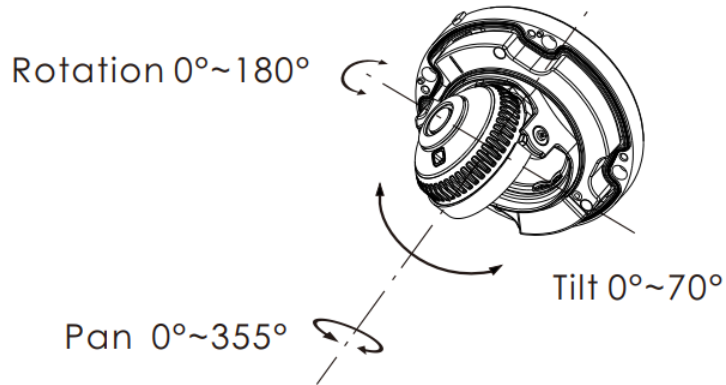
3. Route and connect these cables.



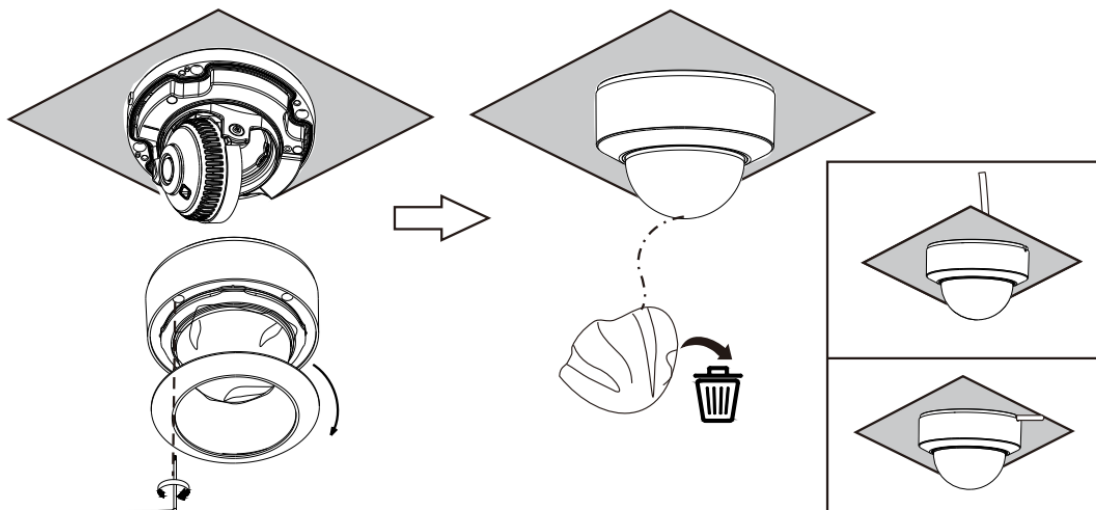
4. Secure the camera to the ceiling or wall with the screws provided.



5. Three-axis adjustment. Before adjustment, preview the image of the camera on a monitor and then adjust the camera according to the figure below to get an optimum angle.



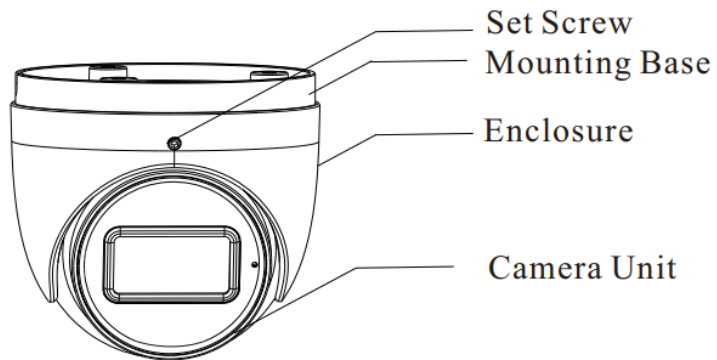
6. Install the lower dome back to the camera and fasten it with screws. Then put the trim ring onto the lower dome and then rotate it clockwise until it is locked. Finally, remove the protection film gently.



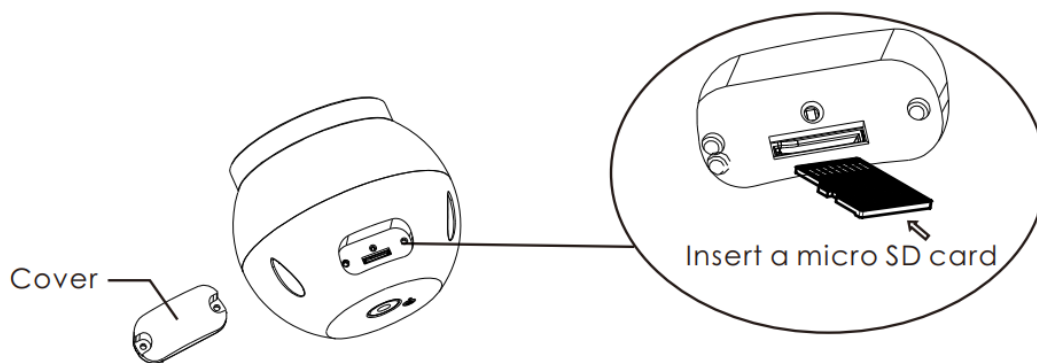
## 2.5 GV-GEBF4802 Installation

Please make sure that the wall or ceiling is strong enough to withstand 3 times the weight of the camera. Please install the camera in a dry environment. You should reinstall the cover of the camera within 4 hours after removing it.

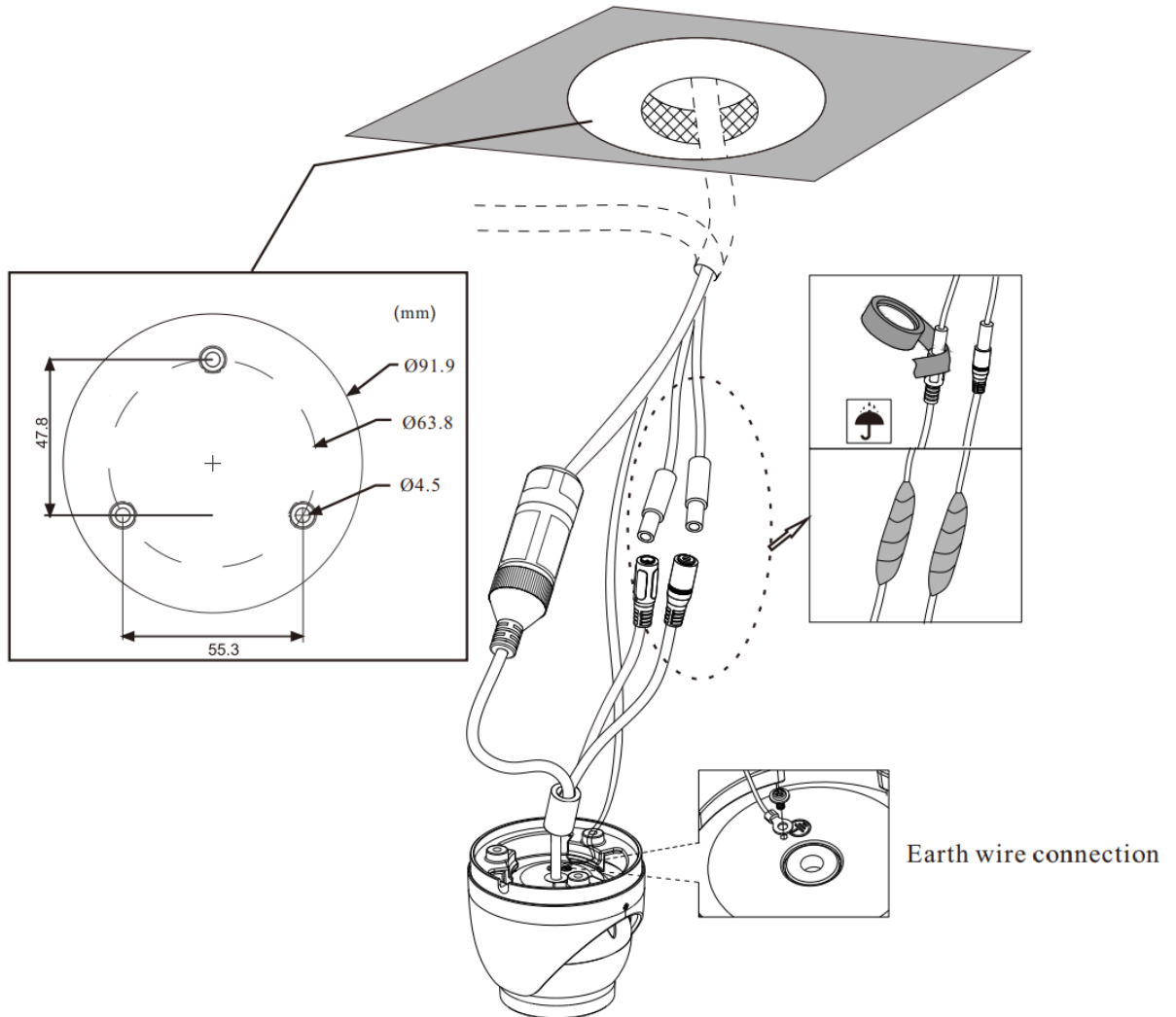
1. Loosen the set screw to disassemble the camera.



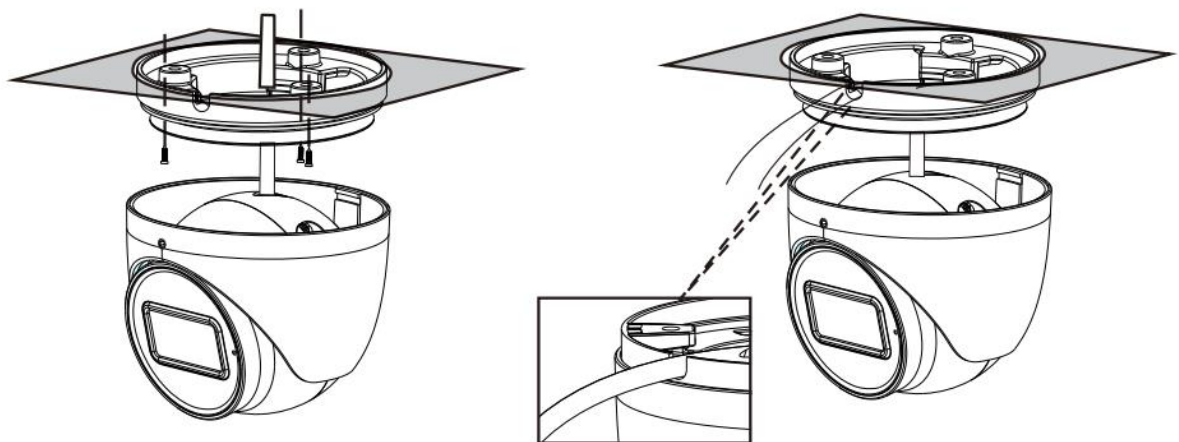
2. Unscrew the cover of the camera unit and then insert a microSD card. After that, install the cover back and make sure the cover is installed firmly.



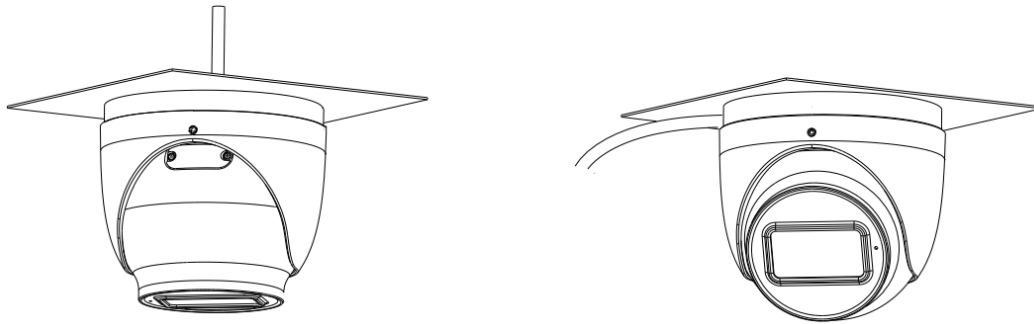
3. Drill the screw holes and the cable hole on the ceiling according to the drill template. Then route and connect the cables.



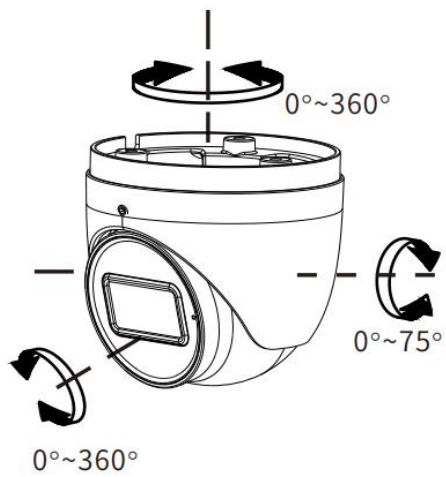
4. Secure the mounting base to the ceiling or wall with the screws provided.



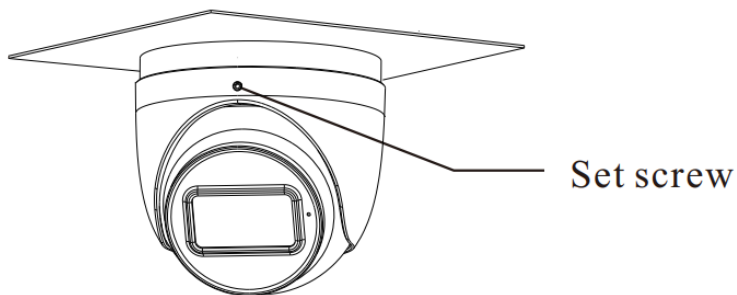
5. Install the camera unit and enclosure to the mounting base.



6. Adjust the camera unit to obtain an optimum viewing angle.



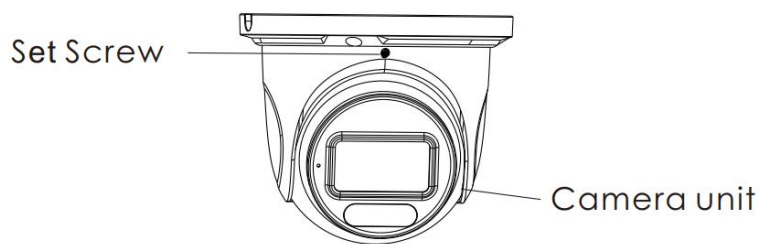
7. Finally, fasten the camera with the set screw.



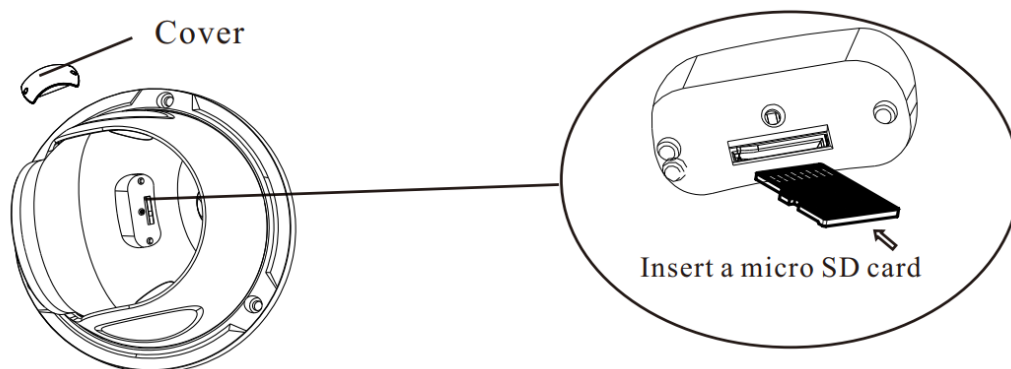
## 2.6 GV-GEBF4813 Installation

Please make sure that the wall or ceiling is strong enough to withstand 3 times the weight of the camera. Please install the camera in a dry environment. You should reinstall the cover of the camera within 4 hours after removing it.

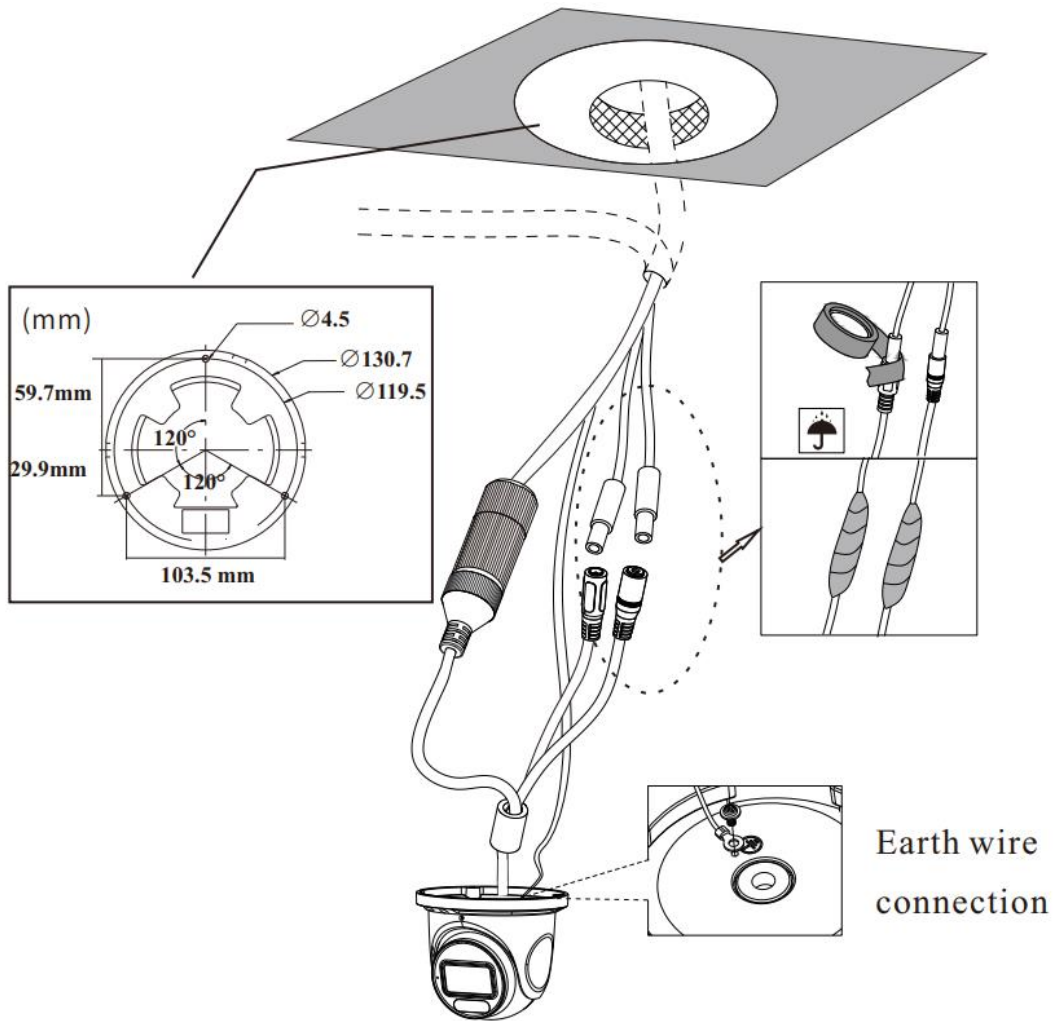
1. Loosen the set screw and then move the camera unit to expose the cover of the SD card slot.



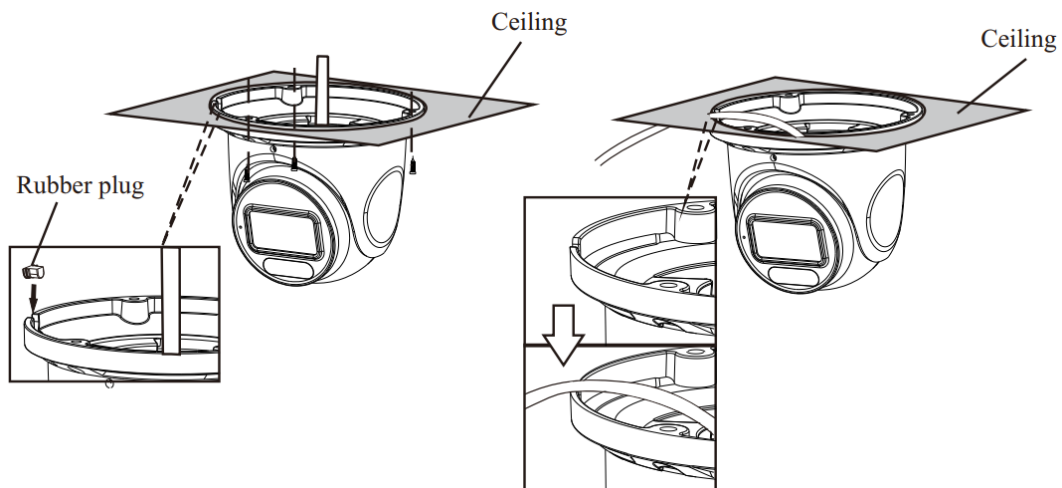
2. Unscrew the cover of the camera unit and then insert a microSD card. After that, install the cover back and make sure the cover is installed firmly.



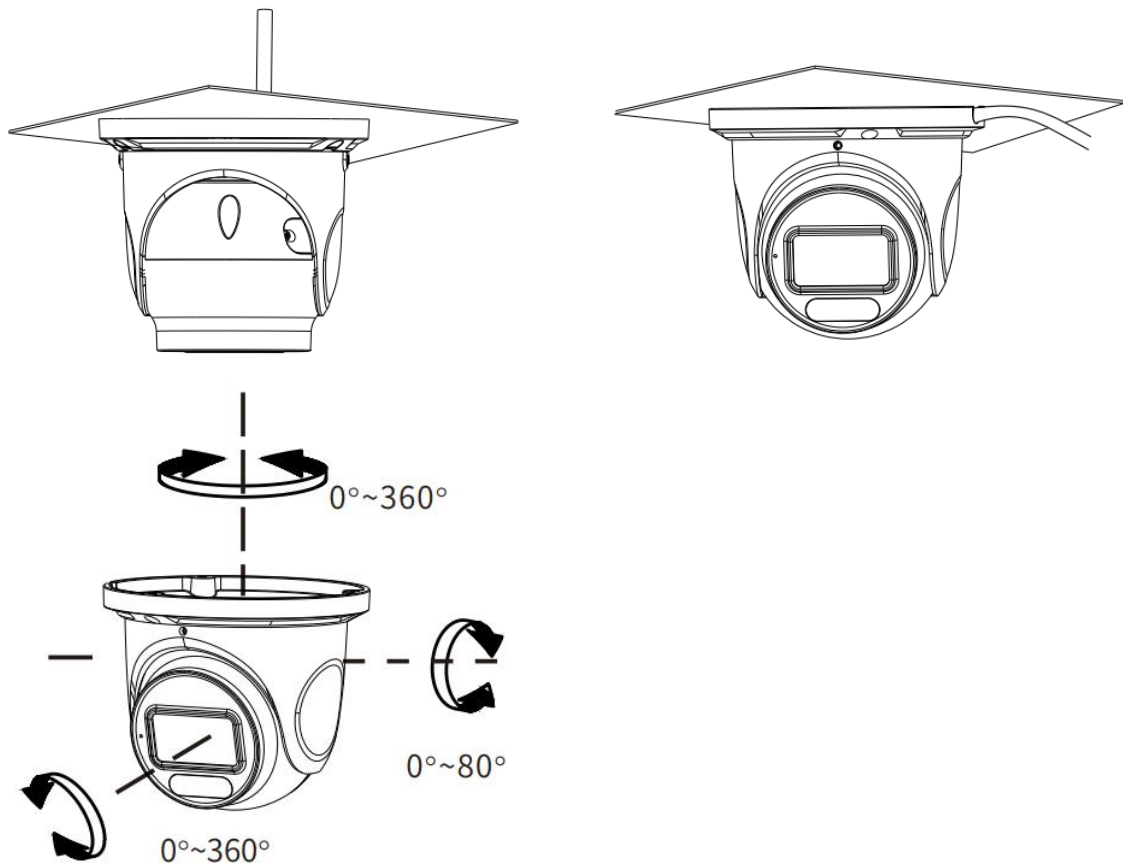
3. Drill the screw holes and the cable hole on the ceiling according to the drill template. Then route and connect the cables.



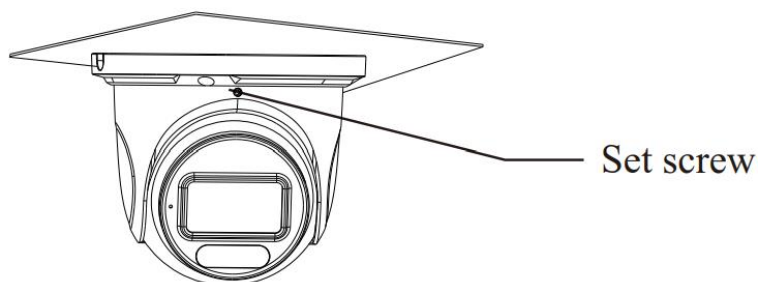
4. Secure the mounting base to the ceiling or wall with the screws provided.



5. Adjust the camera to obtain an optimum angle. Before adjustment, preview the image of the camera on a monitor.



6. Tighten the set screw after you finish adjusting the viewing angle of the camera.



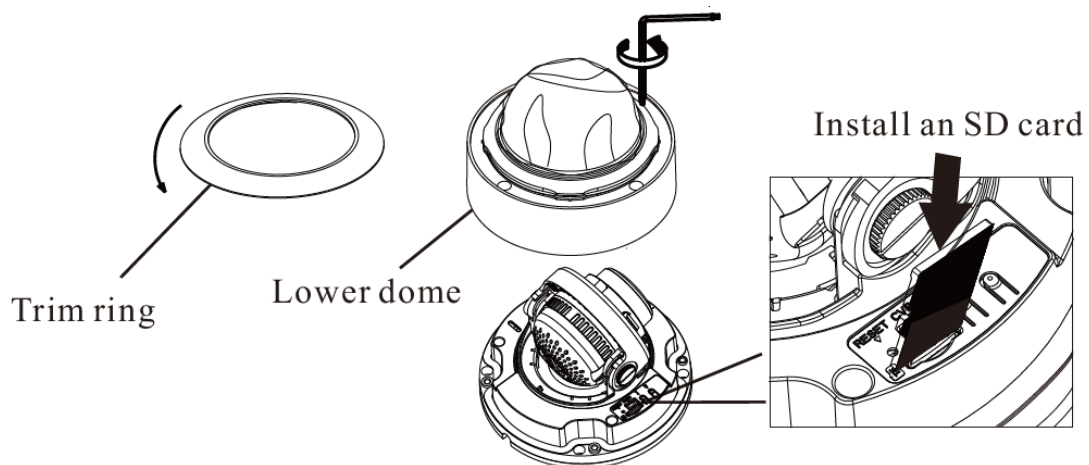
## 2.7 GV-GVD4810 Installation

Please make sure that the wall or ceiling is strong enough to withstand 3 times the weight of the camera. Please install the camera in a dry environment. You should reinstall the cover of the camera within 4 hours after removing it. Do not remove the protection film until you finish the installation.

### IMPORTANT:

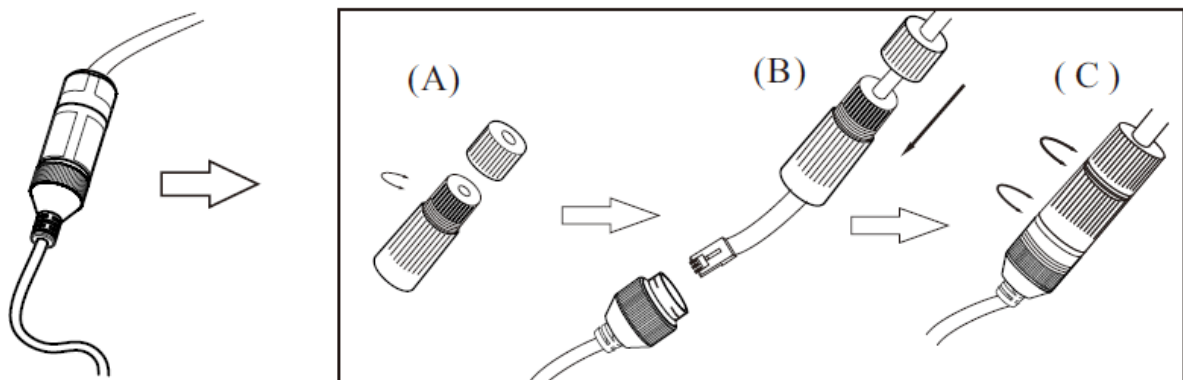
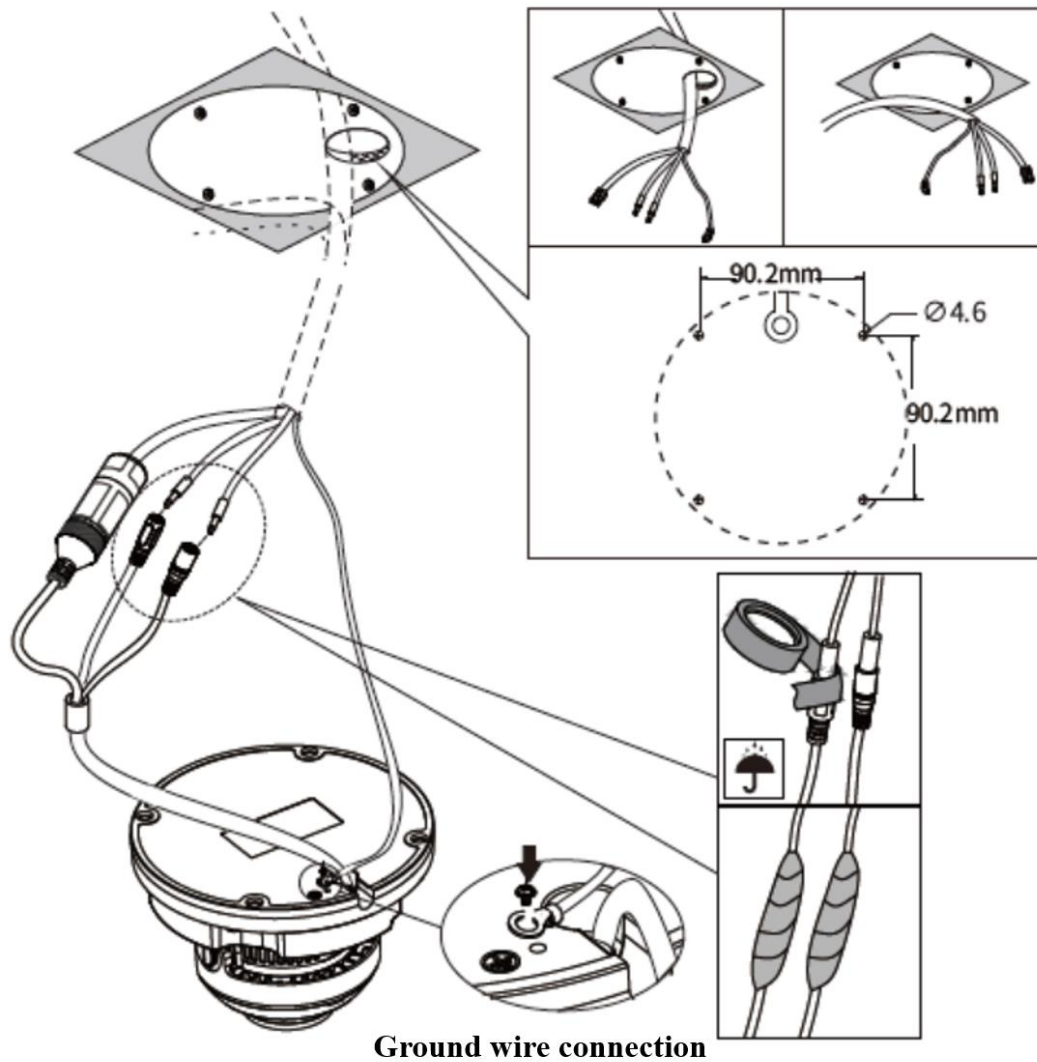
1. You must wear anti-static gloves or discharge static electricity before removing the lower dome (bubble).
2. To avoid affecting IR LED performance, follow the cleaning guidelines below.
  - a. Do not touch or wipe the dome cover surface directly during installation or use, as acidic sweat may corrode the coating and degrade image quality.
  - b. Remove dust with an oil-free soft brush or a hair dryer. For smudges, gently wipe from the center outward with an oil-free cotton cloth or detergent-soaked paper. Always use a dry, soft cloth when wiping, and replace the cloth and repeat if needed.
  - c. Avoid using hard materials or alkaline cleaners, as they may damage the surface.

1. Rotate the trim ring anticlockwise to remove it from the camera. Then loosen the screws to open the lower dome.



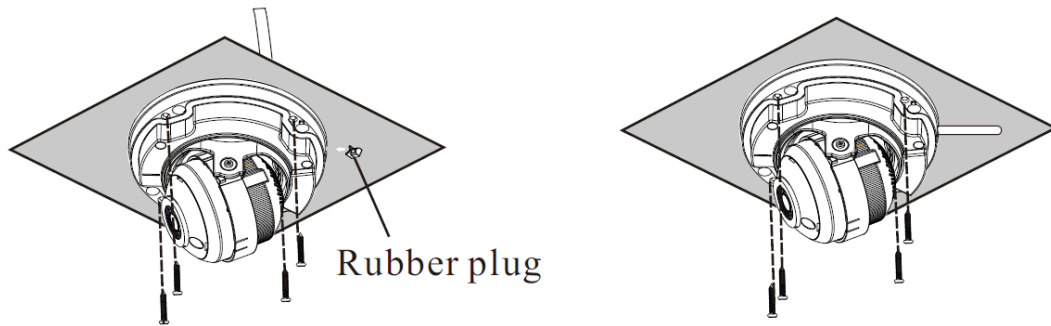
2. Attach the drill template to the place where you want to fix the camera and then drill 4 screw holes and 1 cable hole (if you want to route the cables through the ceiling) according to the drill template.

3. Route and connect these cables.

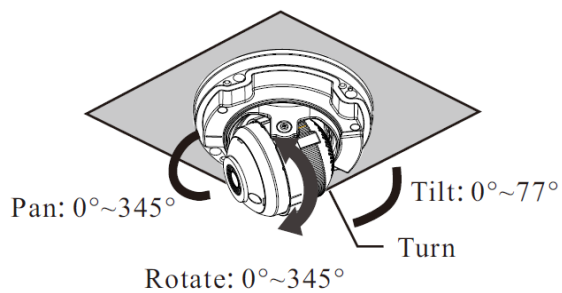


- A. Loosen the nut from the main element.
- B. Run the network cable (without RJ-45 connector) through the both elements. Then crimp the cable with RJ-45 connector.
- C. Connect the cable to the Ethernet connector. Then tighten the nut and the main cover.

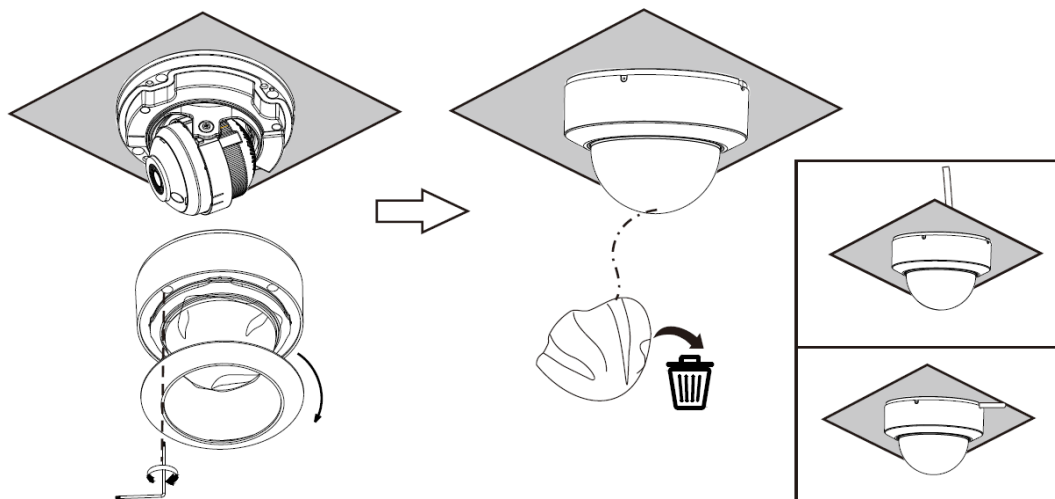
- Secure the camera to the ceiling or wall with the screws provided.



- Three-axis adjustment. Before adjustment, preview the image of the camera on a monitor and then adjust the camera according to the figure below to get an optimum angle.



- Install the lower dome back to the camera and fasten it with screws. Then put the trim ring onto the lower dome and then rotate it clockwise until it is locked. Finally, remove the protection film softly.



## 3. Accessing the Network Camera


### 3.1 Looking Up the Dynamic IP Address

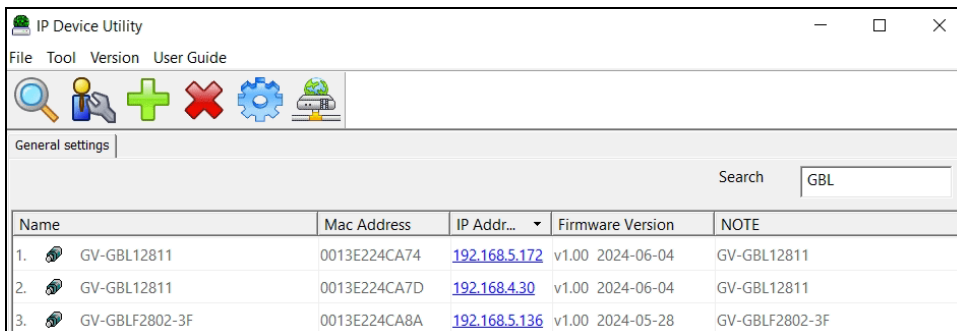
By default, when the camera is connected to a LAN with the DHCP server, it is automatically assigned with a dynamic IP address. Follow the steps below to look up its IP address.




---

**Note:**

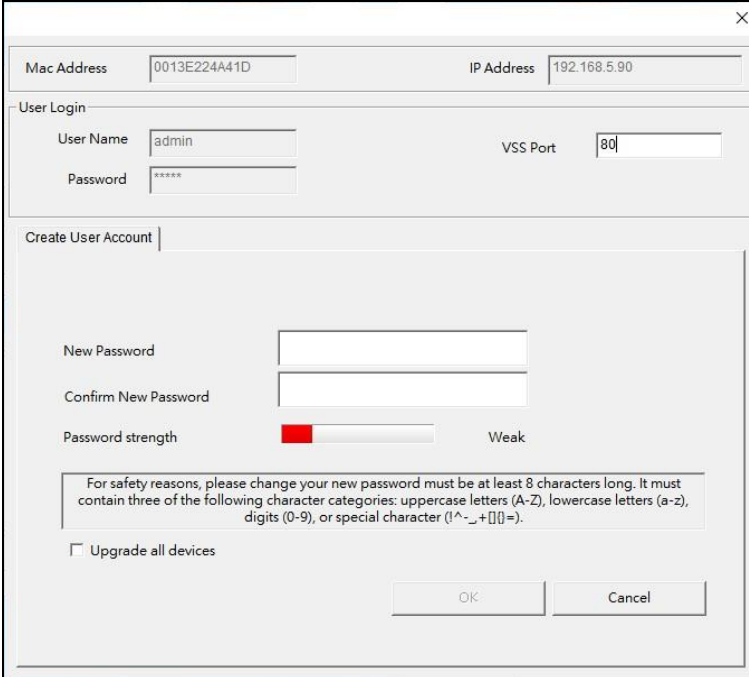
1. The Administrator's default username is **admin** and cannot be modified.
  2. This function is only applicable on GV-IP Device Utility V8.9.8 or later.
- 

1. Make sure the PC used to configure the IP address is under the same LAN as the camera. Download and install **GV-IP Device Utility** from the company [website](#).
2. On the GV-IP Utility window, click the  button to search for IP devices connected to the same LAN. To sort, click the **Name** or **Mac Address** column.
3. Find the camera with its Mac Address, and click on its IP address.



Name	Mac Address	IP Addr...	Firmware Version	NOTE
1.  GV-GBL12811	0013E224CA74	<a href="#">192.168.5.172</a>	v1.00 2024-06-04	GV-GBL12811
2.  GV-GBL12811	0013E224CA7D	<a href="#">192.168.4.30</a>	v1.00 2024-06-04	GV-GBL12811
3.  GV-GBLF2802-3F	0013E224CA8A	<a href="#">192.168.5.136</a>	v1.00 2024-05-28	GV-GBLF2802-3F

- For first-time users, you are requested to create a password.



- Type a new password and click **OK**.
- Click its IP address on the Utility window again and select **Web Page** to access its Web interface.
- Type the set password on the login page and click **Login**.

---

**Note:** To change the password using GV-IP Device Utility, click on the camera's IP address, and select **Configure > Change Password**. Alternatively, you can change the password on the camera's Web interface by clicking **Config→Security→User**.

---

## 3.2 Configuring the IP Address

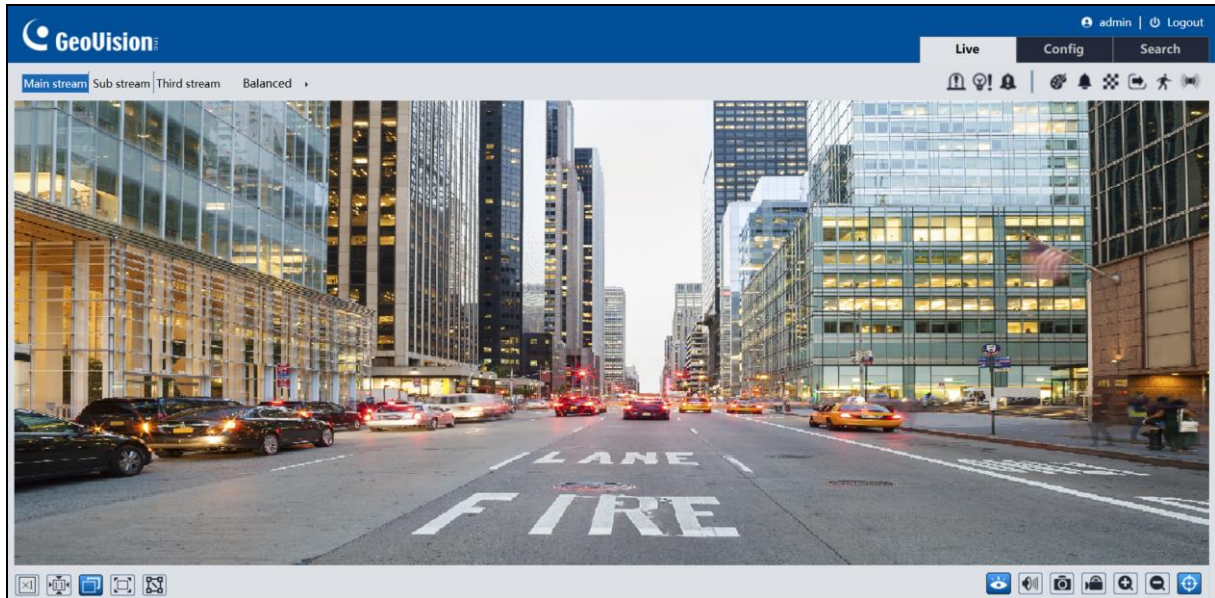
If the camera is connected to a LAN without a DHCP server, the default IP address will be **192.168.0.10**. Follow the steps below to modify the IP address to avoid IP conflict with other GV-IP devices on the same LAN.

1. Open your Web browser, and type the default IP address **192.168.0.10**.
2. Type the default username **admin** and a password. Click **Login**.
3. Go to **Config > Network > TCP/IP** to set the IP address.
4. Select **Use the following IP address** and enter the static IP address and other parameters.






















IPv4	IPv6	PPPoE Config	IP Change Notification Config
<input type="radio"/> Obtain an IP address automatically			
<input checked="" type="radio"/> Use the following IP address			
IP Address	<input type="text" value="192.168.226.201"/>	<input type="button" value="Test"/>	
Subnet Mask	<input type="text" value="255.255.255.0"/>		
Gateway	<input type="text" value="192.168.226.1"/>		
Preferred DNS Server	<input type="text" value="210.21.196.6"/>		
Alternate DNS Server	<input type="text" value="8.8.8.8"/>		

## 4. The Web Interface

Once you log in to the Web interface, you will see the live view as shown below.



The following table is the instructions of the icons on the live view interface.

Icon	Description	Icon	Description
	Original size		AZ control (only available for the model with motorized zoom lens)
	Fit correct scale		Rule information display
	Auto (fill the window)		Motion alarm indicator
	Full screen		Scene change indicator
	Measure Tool		Color abnormal indicator
	Start/stop live view		Abnormal clarity indicator
	Enable/disable audio		Line crossing indicator
	Snapshot		Intrusion indicator
	Start/stop local recording		Object detection indicator (object abandoned/missing)
	Zoom in		SD card recording indicator
	Zoom out		

---

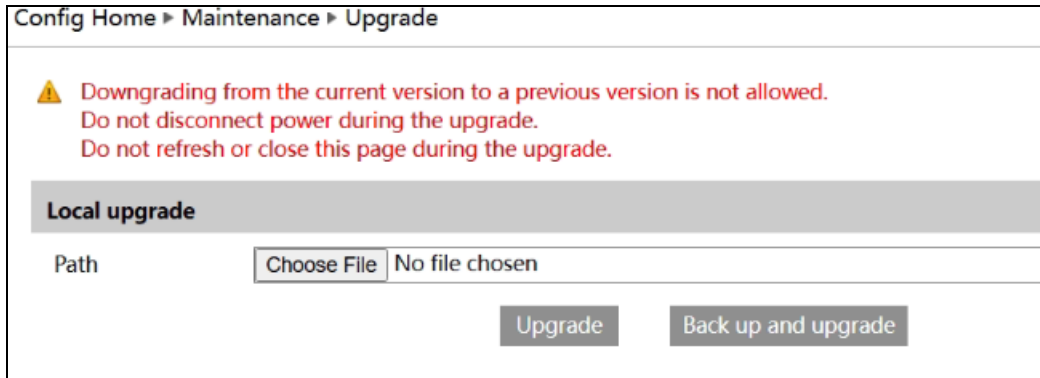
**Note:** The features described in the above table vary among camera models and versions. Some features may not be available in your camera. **GV-GBLF4802 / 4813**, **GV-GDRF4800**, **GV-GEBF4802 / 4813**, and **GV-GVD4810** only support the following two Event configurations:

1. Line Crossing
  2. Region Intrusion
-

## 5. Upgrading System Firmware

GeoVision periodically releases updated firmware on the company [website](#). To load the new firmware into the camera, follow the instructions below.

1. On the Web interface, click **Config > Maintenance > Upgrade**.



2. Click **Choose File** to locate the firmware file saved at your local computer.
3. Click the **Upgrade** or **Back up and upgrade** button to start upgrading the firmware.
4. Enter the password and the camera will restart automatically.

If “Back up and upgrade” is selected, the configuration file will be exported to your local PC before the upgrade starts.

---

**Note:** Do not close the browser or disconnect the camera from the network during the upgrade.

---

## 6. Restoring to Factory Default

If for any reason the camera is not responding correctly, you can restore the camera back to its factory default settings using the Web interface or the Load Default Button.

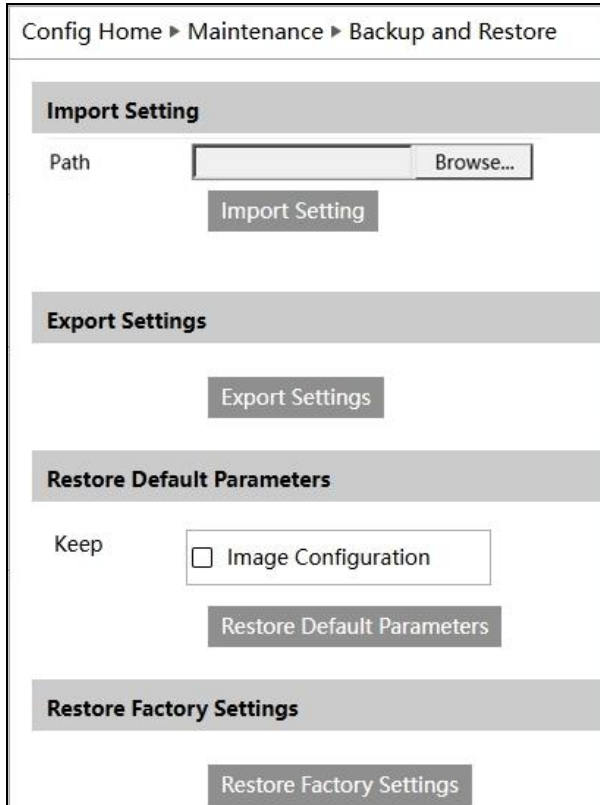
### On the Camera

1. Find the **Load Default** button on the camera (see the Reset button in *1. Overview*).
2. Press and hold the button for more than 10 seconds to restore to the factory default setting.

### On the Web Interface

1. On the Web interface, click **Config > Maintenance > Backup and Restore**.
2. Click **Restore Factory Settings** and then verify the password to restore all system settings to the default factory settings. Or, select **Restore Default Parameters** to restore default settings *without resetting passwords*. You can also select **Keep Image**

**Configuration** to retain current image settings.



Config Home ▶ Maintenance ▶ Backup and Restore

**Import Setting**

Path

**Export Settings**

**Restore Default Parameters**

Keep  Image Configuration

**Restore Factory Settings**