

Quick Start Guide

GV-IP Camera



- GV-CBL2800
- GV-CEB2800

Before attempting to connect or operate this product, please read these instructions carefully and save this manual for future use.

TVTCSERIES2MP-QG-A



© 2025 GeoVision, Inc. All rights reserved.

Under the copyright laws, this manual may not be copied, in whole or in part, without the written consent of GeoVision.

Every effort has been made to ensure that the information in this manual is accurate. GeoVision, Inc. makes no expressed or implied warranty of any kind and assumes no responsibility for errors or omissions. No liability is assumed for incidental or consequential damages arising from the use of the information or products contained herein. Features and specifications are subject to change without notice.

GeoVision, Inc.
9F, No. 246, Sec. 1, Neihu Rd.,
Neihu District, Taipei, Taiwan
Tel: +886-2-8797-8377
Fax: +886-2-8797-8335
<http://www.geovision.com.tw>

Trademarks used in this manual: *GeoVision*, the *GeoVision* logo and *GV* series products are trademarks of GeoVision, Inc. *Windows* is the registered trademark of Microsoft Corporation.

August 2025

Scan the following QR codes for product warranty and technical support policy:



[Warranty]



[Technical Support Policy]

Warning and Caution

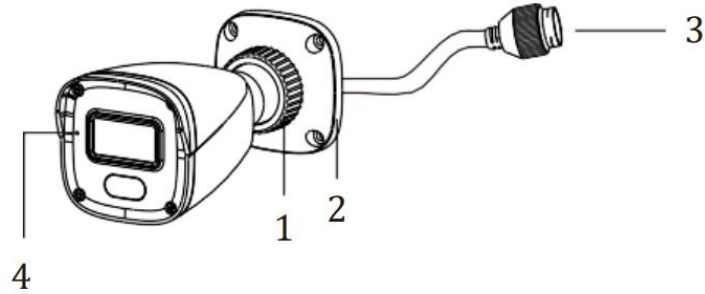
- If the product does not work properly, please contact your dealer or the nearest service center. Never attempt to disassemble the camera yourself. (We shall not be responsible for any problems caused by unauthorized repair or maintenance.)
- Keep away from liquid while in use.
- In the use of the product, you must be strict compliance with the electrical safety regulations of the nation and region. When the product is mounted on wall, the device shall be firmly fixed.
- Do not use camera beyond specified voltage range.
- Do not drop the camera or subject it to physical shock.
- Avoid touching the camera lens.
- If cleaning is necessary, please use clean cloth to wipe it gently.
- Do not aim the camera at the sun or extra bright place.
- Do not place the camera in extremely hot, cold, dusty or damp locations, and do not expose it to high electromagnetic radiation.
- To avoid heat accumulation, good ventilation is required for operating environment.

Contents

1. Overview	1
1.1 GV-CBL2800 Overview	1
1.2 GV-CEB2800 Overview	2
2. Installation	3
2.1 Connecting the Network Cable	3
2.2 GV-CBL2800 Installation	4
2.3 GV-CEB2800 Installation	6
3. Accessing the Network Camera	8
3.1 Looking Up the Dynamic IP Address	8
3.2 Configuring the IP Address	10
4. The Web Interface	11
5. Upgrading System Firmware	12
6. Restoring to Factory Default	13

1. Overview

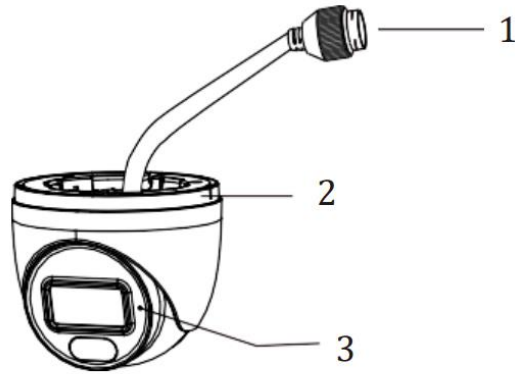
1.1 GV-CBL2800 Overview



1	Lock Ring
2	Mounting Base
3	Ethernet Connector
4	Audio Input (MIC)

Note: It is recommended to install the water-proof connector for outdoor installation.

1.2 GV-CEB2800 Overview



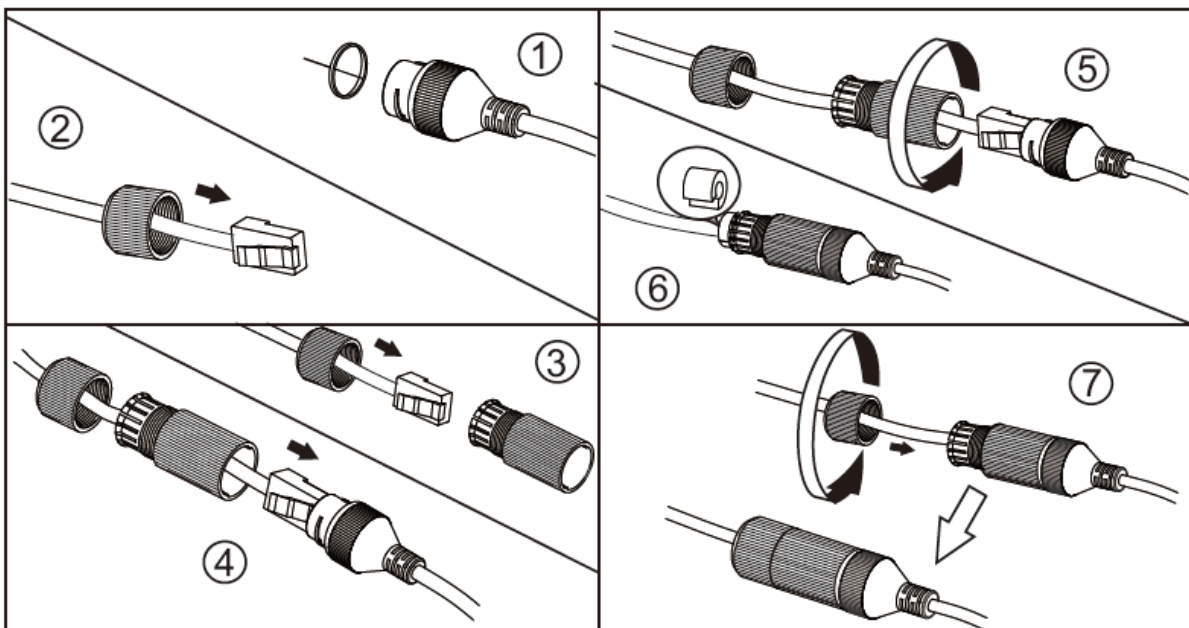
1	Ethernet Connector
2	Mounting Base
3	Audio Input (MIC)

Note: It is recommended to install the water-proof connector for outdoor installation.

2. Installation

- Ensure the wall or ceiling is strong enough to support **three times** the weight of the camera.
- Install the camera in a **dry environment**.
- **Do not remove the protective film** until installation is complete.

2.1 Connecting the Network Cable

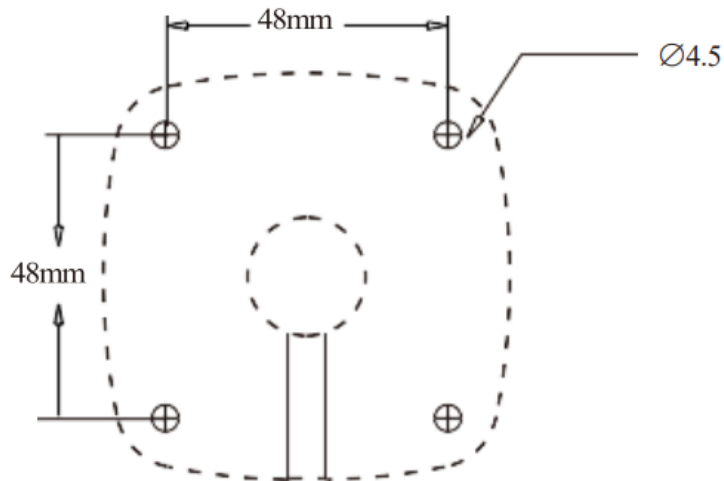


Note: If the RJ-45 connector of the network cable has a jacket and cannot be threaded through the kit, remove the jacket. If the jacket cannot be removed, cut off the connector and install an RJ-45 connector without the jacket.

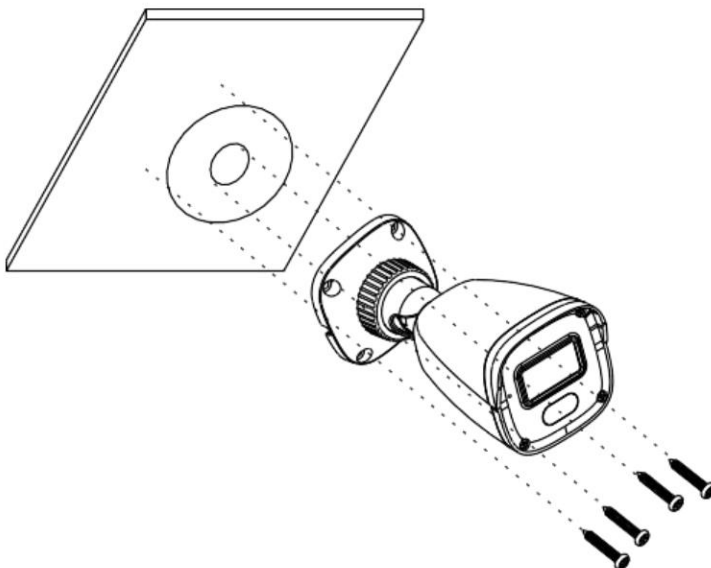
2.2 GV-CBL2800 Installation

Please make sure that the wall or ceiling is strong enough to withstand 3 times the weight of the camera. Please install and use the camera in the dry environment.

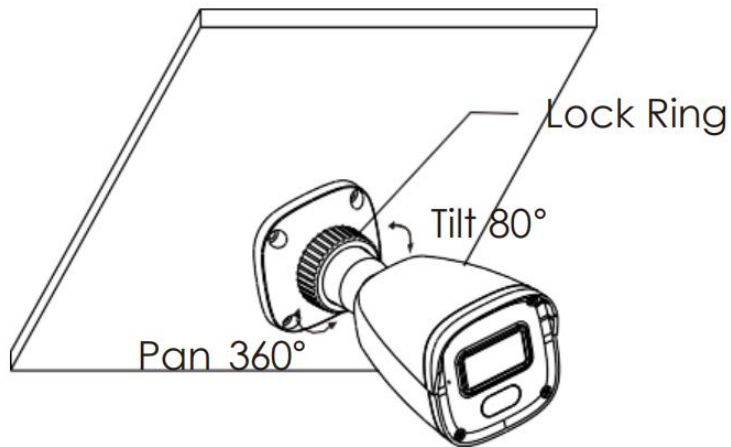
1. Attach the drill template to the place where you want to fix the camera and then drill the screw holes and the cable hole on the wall according to the drill template.



2. Connect a network cable.
3. Secure the mounting base with camera to the wall with screws as shown below.



4. Bracket adjustment. Before adjustment, preview the image of the camera on a monitor and then loosen the lock ring to adjust the viewing angle of the camera.

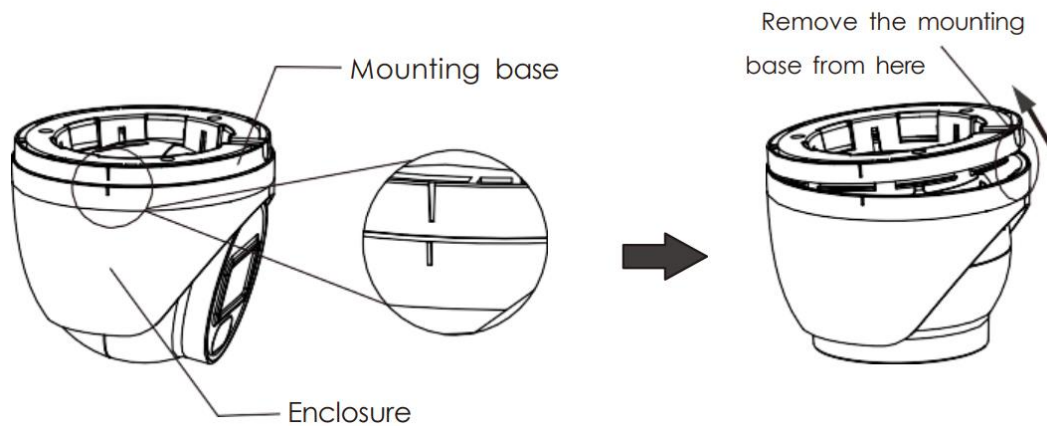


5. Tighten the lock ring after the adjustment.

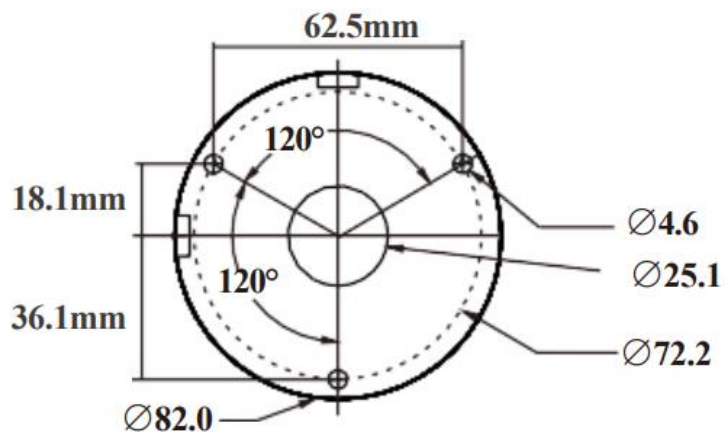
2.3 GV-CEB2800 Installation

Please make sure that the wall or ceiling is strong enough to withstand 3 times the weight of the camera. Please install the camera in a dry environment.

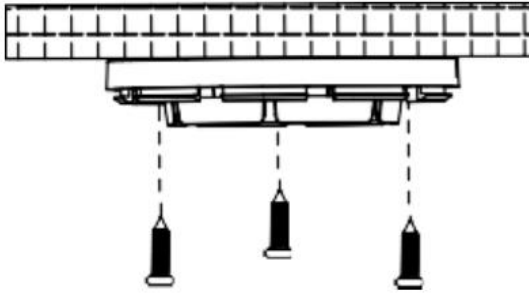
1. Rotate the mounting base and make sure the marks of mounting base and enclosure are aligned. Then remove the mounting base.



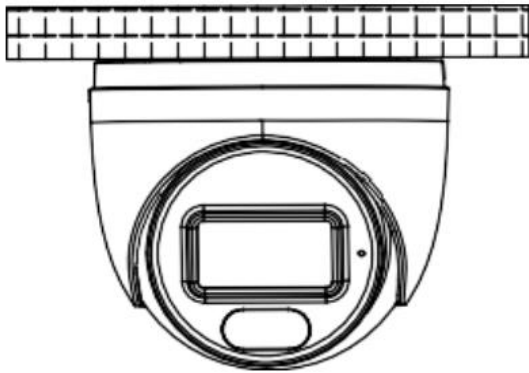
2. Attach the drill template to the place where you want to fix the camera and then drill the screw holes and the cable hole on the wall according to the drill template.



3. Connect a network cable. Then secure the mounting base to the ceiling or wall with the screws provided.



4. Install the camera unit and enclosure to the mounting base and then adjust the camera unit to obtain an optimum viewing angle.




3. Accessing the Network Camera

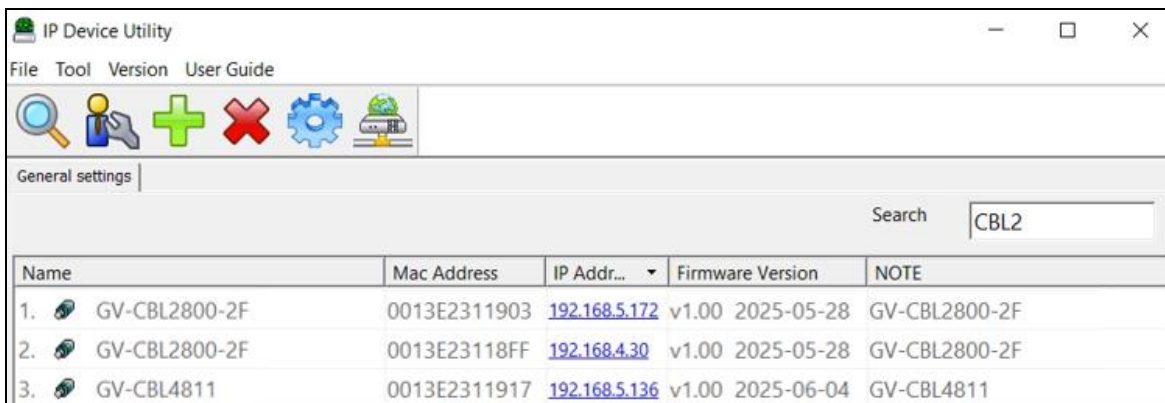
3.1 Looking Up the Dynamic IP Address

By default, when the camera is connected to a LAN with the DHCP server, it is automatically assigned with a dynamic IP address. Follow the steps below to look up its IP address.




Note:

1. By default, the Administrator's username is **admin** and cannot be modified.
 2. This function is only applicable on GV-IP Device Utility V8.9.8 or later.
-

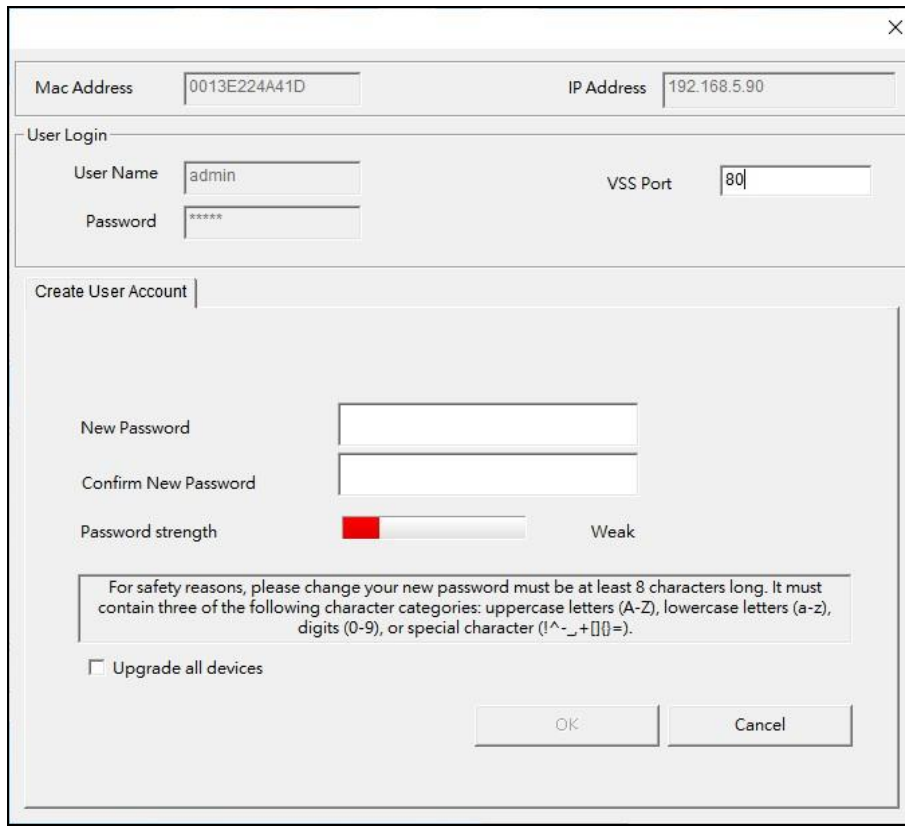
1. Make sure the PC used to configure the IP address is under the same LAN as the camera. Download and install **GV-IP Device Utility** from the [GeoVision Website](#).
2. On the GV-IP Utility window, click the  button to search for IP devices connected to the same LAN. To sort, click the **Name** or **Mac Address** column.
3. Find the camera with its Mac Address, and click on its IP address.



The screenshot shows the 'IP Device Utility' application window. The search bar contains 'CBL2'. Below the search bar is a table with the following data:

Name	Mac Address	IP Addr...	Firmware Version	NOTE
1.  GV-CBL2800-2F	0013E2311903	192.168.5.172	v1.00 2025-05-28	GV-CBL2800-2F
2.  GV-CBL2800-2F	0013E23118FF	192.168.4.30	v1.00 2025-05-28	GV-CBL2800-2F
3.  GV-CBL4811	0013E2311917	192.168.5.136	v1.00 2025-06-04	GV-CBL4811

- For first-time users, you are requested to create a password.



- Type a new password and click **OK**.
- Click its IP address on the Utility window again and select **Web Page** to access its Web interface.
- Type the set password on the login page and click **Login**.

Note:

- The Administrator's default username is admin and cannot be modified.
 - To change the password using GV-IP Device Utility, click on the camera's IP address, and select **Configure > Change Password**. Alternatively, you can change the password on the camera's Web interface by clicking **Config→Security→User**.
-

3.2 Configuring the IP Address

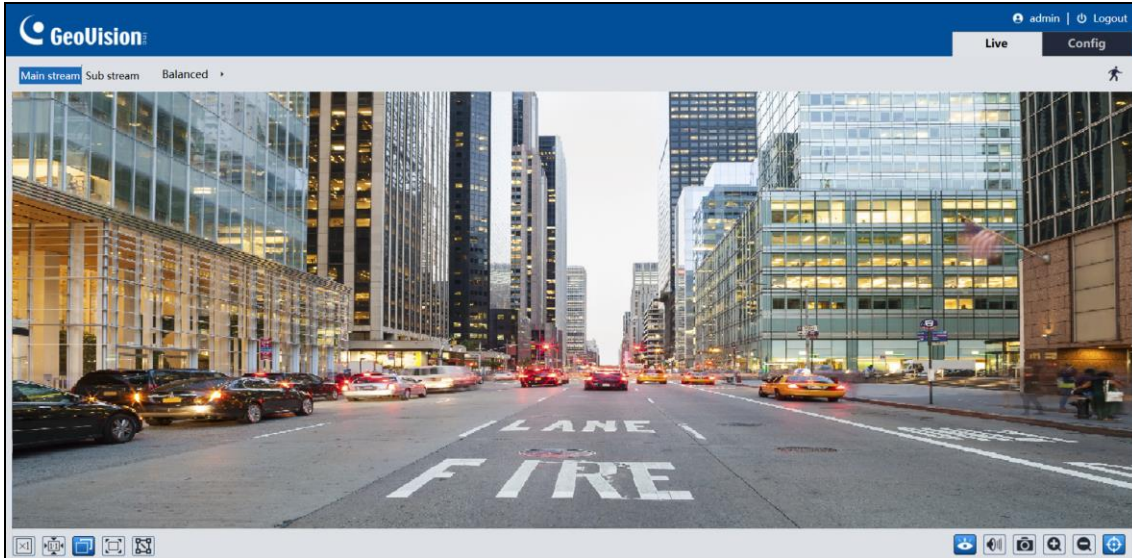
If the camera is connected to a LAN without a DHCP server, the default IP address will be **192.168.0.10**. Follow the steps below to modify the IP address to avoid IP conflict with other GV-IP devices on the same LAN.


















1. Open your Web browser, and type the default IP address **192.168.0.10**.
2. Type the default username **admin** and a password. Click **Login**.
3. Go to **Config > Network > TCP/IP** to set the IP address.
4. Select **Use the following IP address** and enter the static IP address and other parameters.

IPv4	IPv6
<input type="radio"/> Obtain an IP address automatically	
<input checked="" type="radio"/> Use the following IP address	
IP Address	<input type="text" value="192.168.226.201"/> <input type="button" value="Test"/>
Subnet Mask	<input type="text" value="255.255.255.0"/>
Gateway	<input type="text" value="192.168.226.1"/>
Preferred DNS Server	<input type="text" value="192.168.226.1"/>
Alternate DNS Server	<input type="text" value="8.8.8.8"/>
<input type="button" value="Save"/>	

4. The Web Interface

Once you log in the Web interface, you will see the live view as shown below.



Icon	Description	Icon	Description
	Original size		Start/stop local recording
	Fit correct scale		Zoom in
	Auto (fill the window)		Zoom out
	Full screen		Rule information display
	Measure Tool		Motion alarm indicator
	Start/stop live view		Line crossing indicator
	Enable/disable light alarm		Light alarm indicator
	Enable/disable audio		Intrusion indicator
	Snapshot		

Note: The features described in the above table vary among camera models and versions. Some features may not be available in your camera. **GV-CBL2800** and **GV-CEB2800** only support the following two Event configurations:

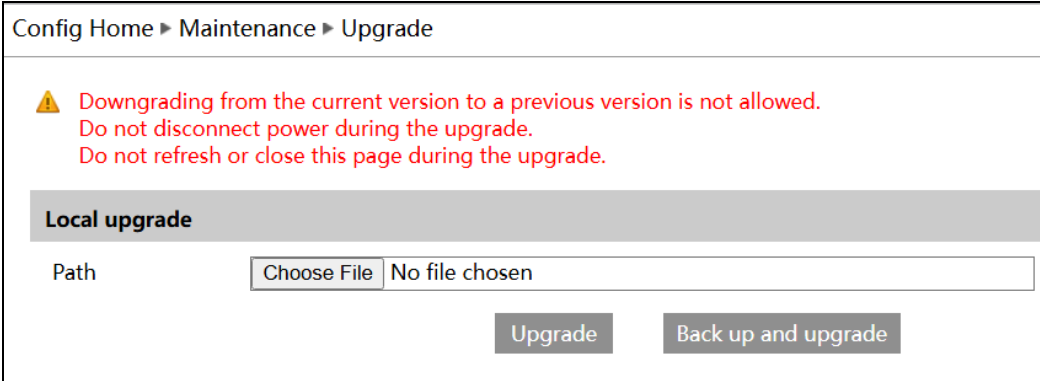
1. Line Crossing (Human detection only)
2. Region Intrusion (Human detection only)

For detailed information, see *Chapter 2 Live View* in the user's manual.

5. Upgrading System Firmware

GeoVision periodically releases updated firmware on the [GeoVision Website](#). To load the new firmware into the camera, follow the instructions below.

1. On the Web interface, click **Config > Maintenance > Upgrade**.



Config Home ▶ Maintenance ▶ Upgrade

⚠ Downgrading from the current version to a previous version is not allowed.
Do not disconnect power during the upgrade.
Do not refresh or close this page during the upgrade.

Local upgrade

Path No file chosen

2. Click **Choose File** to locate the firmware file saved at your local computer.
3. Click the **Upgrade** or **Backup and upgrade** button to start upgrading the firmware.
4. Enter the password and the camera will restart automatically.

If “Back up and upgrade” is selected, the configuration file will be exported to your local PC before starting upgrading

Note: Do not close the browser or disconnect the camera from the network during the upgrade.

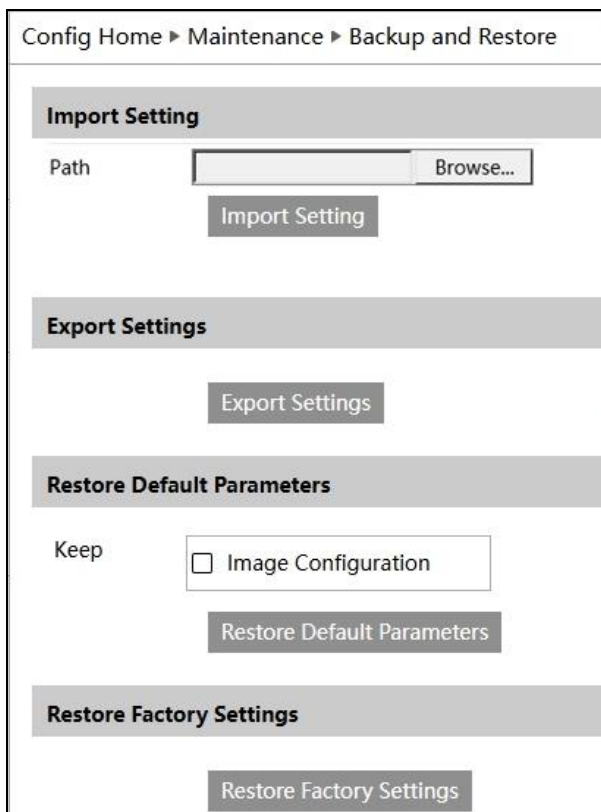
6. Restoring to Factory Default

If for any reason the camera is not responding correctly, you can restore it to its factory default settings using the Web interface.

Note: If you have forgotten your password, please contact the GeoVision Support Team (support@geovision.com.tw) for assistance with restoring the camera to its factory settings.

On the Web Interface

1. On the Web interface, click **Config > Maintenance > Backup & Restore**.
2. Click **Restore Factory Settings** and then verify the password to restore all system settings to the factory default settings. Note that this will also reset the password. Alternatively, select **Restore Default Parameters** to restore default settings *without resetting the password*. You can also select **Keep Image Configuration** to retain the current image settings.



The screenshot shows the 'Backup and Restore' configuration page. At the top, the breadcrumb navigation reads 'Config Home > Maintenance > Backup and Restore'. The page is divided into four main sections, each with a corresponding button:

- Import Setting:** Includes a 'Path' input field with a 'Browse...' button and an 'Import Setting' button.
- Export Settings:** Includes an 'Export Settings' button.
- Restore Default Parameters:** Includes a 'Keep' section with a checkbox for 'Image Configuration' and a 'Restore Default Parameters' button.
- Restore Factory Settings:** Includes a 'Restore Factory Settings' button.