

# GV-CEB4811 AI 4MP H.265 4.3x Zoom Low Lux WDR Full Color Warm LED IR Eyeball Dome IP Camera



- AI deep learning: AI Perimeter Protection
- 1/3" progressive scan CMOS sensor
- Min. illumination at 0.03 lux
- Dual streams from H.265, H.264 and MJPEG
- Up to 30 fps at 2560 x 1440
- Smart Warm LED distance up to 30 m (100 ft)
- Intelligent IR
- IR distance up to 50 m (165 ft)
- Wide Dynamic Range (WDR)
- Built-in microphone
- Ingress protection (IP67)
- Vandal resistance (IK10 for metal casing)
- 3-axis mechanism (pan / tilt / rotate)
- DC 12V / PoE (IEEE 802.3af)
- AI analytics (Line Crossing, Region Intrusion)
- 3D noise reduction
- Motion detection
- Text overlay
- Privacy mask
- 5 languages supported
- ONVIF (Profile G, S, M) conformant

## Introduction

GV-CEB4811 is a 4 MP outdoor eyeball dome IP camera, equipped with a smart warm LED for full color surveillance during nighttime. The camera supports H.265 video codec to achieve a better compression ratio while maintaining high-quality pictures at reduced network bandwidth. GV-CEB4811 adheres to IP67 and IK10 standards and can be powered through PoE.

Empowered by deep learning algorithms, AI technology distinguishes humans and vehicles from other moving objects. Integrated with GeoVision Video Management Software (GV-VMS), it supports AI perimeter protection, real-time alert, playback, and more.

## Deep Learning Function

### AI Perimeter Protection (Line Crossing, Region Intrusion)



## Specifications

Camera					
Image Sensor		1/3" progressive scan CMOS			
Picture Elements		2560 (H) x 1440 (V)			
Minimum Illumination	Color	0.03 Lux (F1.4, AGC ON)			
	IR On	0 Lux			
Shutter Speed		Auto / Manual (1/3 ~ 1/100000 sec)			
White Balance		Auto / Manual			
Gain Control		Auto / Manual			
S/N Ratio		50 dB			
WDR		Yes			
Dynamic Range		90 dB			
Lens					
Megapixel		4 MP			
Day / Night		Yes			
Lens Type		Motorized Varifocal			
Focal Length		2.8~12 mm			
Maximum Aperture		F/1.4			
Mount		Ø14			
FOV	Horizontal	92.5°~34°			
	Vertical	54.5°~18°			
	Diagonal	112°~39°			
Operation	Focus	Auto / Manual			
	Zoom	4.3x			
	Iris	DC			
IR LED	Quantity	2 IR LEDs			
	Max. IR Distance	50 m (165 ft)			
Smart Illumination	LED Quantity	1 Warm LED			
	Max. LED Distance	30 m (100 ft)			
DORI		Detect	Observe	Recognize	Identify
Lens	2.8~12 mm (W)	56 m (183 ft)	22 m (72 ft)	11 m (36 ft)	5 m (18 ft)
	2.8~12 mm (T)	181 m (596 ft)	72 m (238 ft)	36 m (119 ft)	18 m (59 ft)
Operation					
Video Compression		H.265, H.265+, H.264, H.264+, MJPEG			
Video Streaming		Dual streams			
Video Resolution	Main Stream	2560 x 1440 (Default), 2304 x 1296, 1920 x 1080, 1280 x 720			
	Sub Stream	704 x 576, 704 x 480 (Default), 640 x 480, 480 x 240, 352 x 288, 352 x 240			
Frame Rate		30 fps at 2560 x 1440, 2304 x 1296, 1920 x 1080, 1280 x 720, 704 x 480, 640 x 480, 480 x 240, 352 x 240 (60 Hz)			
		25 fps at 2560 x 1440, 2304 x 1296, 1920 x 1080, 1280 x 720, 704 x 576, 640 x 480, 480 x 240, 352 x 288 (50 Hz)			
		* The frame rate and performance may vary depending on the number of connections and data bitrates (different scenes).			
Maximum Throughput		9 Mbps			
Maximum Streams * When the total bitrate is within the maximum throughput		3			
Video Analytics		Motion Detection			
Smart Alarm		Motion Detection, IP Address Conflict, Cable Disconnection			
Image Settings		Brightness, Contrast, Hue, Saturation, Sharpness, 3D Noise Reduction, BLC, Antiflicker, Smart IR, Image Orientation (Flip, Mirror, 0°, 180°)			
Audio Compression		G.711			
Audio Support		One-way audio			

Deep Learning Function			
AI Analytics	Line Crossing, Region Intrusion (Human detection only) *The two functions can only be enabled one at a time.		
Network			
Interface	10/100 Ethernet		
Protocol	802.1X authentication (EAP-MD5), DHCP, HTTP, IPv4, IPv6, NTP, ONVIF (Profile G, S, M), RTSP, UDP		
Mechanical			
Camera Angle Adjustment	Pan	0 ~ 360°	
	Tilt	0 ~ 80°	
	Rotate	0 ~ 360°	
Connectors	Power	DC jack	
	Ethernet	RJ-45 connector	
	Audio	Built-in microphone	Yes
		External microphone required	No
	Built-in speaker	No	
	External speaker required	No	
General			
Operating Temperature	-30°C ~ 60°C (-22°F ~ 140°F)		
Humidity	0% ~ 95% (no condensation)		
Power Source	DC 12V, 1.5A / PoE (IEEE 802.3af)		
Max. Power Consumption	8.5 W		
Dimensions	Ø111.6 x 98.7 mm (Ø4.39 x 3.89 in)		
Weight	0.48 kg (1.05 lb)		
Ingress Protection	IP67		
Vandal Resistance	IK10 for metal casing		
Certification	CE, FCC, RoHS compliant		
Web Interface			
Installation Management	Web-based configuration		
Maintenance	Firmware upgrade through Web Browser or Utility		
Access from Web Browser	Live View, Video Recording, Change Video Quality, Bandwidth Control, Image Snapshot, Digital Zoom, Text Overlay, Image Masking, Intelligent Mark		
Language	English, French, Italian, Portuguese, Spanish (Latin America)		
Software Applications			
Software Supported	GV-VMS (V17.4.8 / V18.3.5 or later, patch files required), GV-Control Center (V4.2.1 or later, patch files required), GV-Edge Recording Manager for Windows (V2.3.1 or later, patch files required), GV-Recording Server (V2.1.1 or later, patch files required), GV-IP Device Utility (V9.0.5 or later)  *You need to purchase an HD DVR License (dongle or software license) for the GV-C Series IP cameras to connect to the GV-VMS and GV-Recording Server software.		
Smart Device Access	GV-Eye for iOS and Android (V3.4.1 or later)		
Live Viewing	Web Browser (Edge, IE mode in Edge, Chrome, Firefox, Safari), Mobile App		

**Note:**

- Do not use clothes or any ordinary material to clean the camera cover since they may result in scratches.
- All specifications are subject to change without notice.

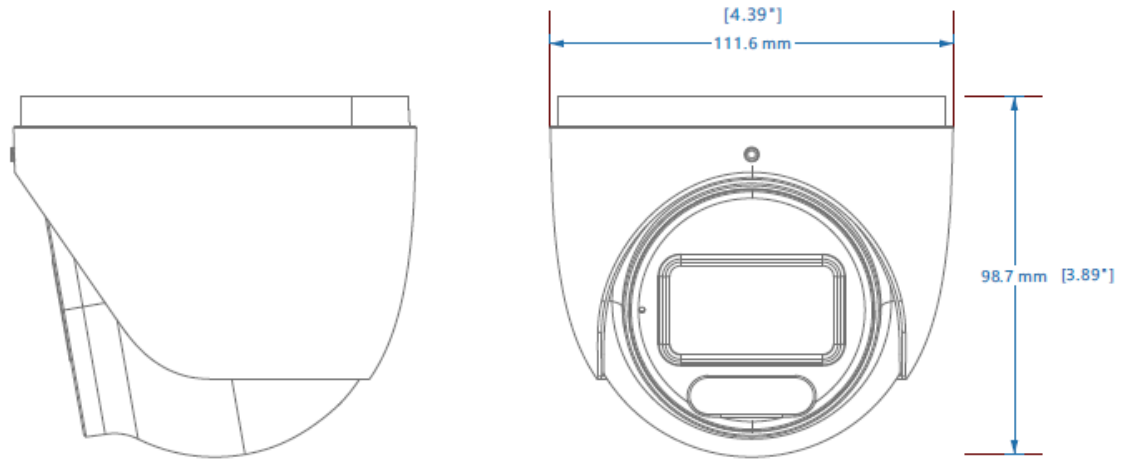
**Packing List**

- |                            |                          |
|----------------------------|--------------------------|
| 1. GV-CEB4811 Eyeball Dome | 4. Drill Template Paster |
| 2. Waterproof Rubber Set   | 5. Download Guide        |
| 3. Screw Kit               |                          |

## Accessories

Model No.	Name		Details
GV-Mount118 (must be used with GV-Mount506)	Pendant Mount		Dimensions: $\varnothing$ 139.3 x 194.9 mm ( $\varnothing$ 5.48 x 7.67 in) Weight: 0.44 kg (0.97 lb)
GV-Mount211-4	Wall Mount Bracket		Dimensions: 129.5 x 155 x 74.5 mm (5.10 x 6.10 x 2.93 in) Weight: 0.53kg (1.16 lb)
GV-Mount211-6 (must be used with GV-Mount506)	Wall Mount Bracket		Dimensions: 199 x 139.3 x 140.8 mm (7.83 x 5.48 x 5.54 in) Weight: 0.56 kg (1.23 lb)
GV-Mount470 (must be used with GV-Mount211-6 + GV-Mount506, or GV-Mount506)	Pole Mount Bracket		Dimensions: 163.3 x 54.5 x 215 mm (6.43 x 2.15 x 8.46 in) Weight: 1.10 kg (2.43 lb)
GV-Mount506	Junction Box		Dimensions: 139.3 x 171.6 x 50 mm (5.48 x 6.76 x 1.97 in) Weight: 0.51 kg (1.13 lb)
GV-Mount707 (must be used with GV-Mount118)	Extension Tube		Dimensions: $\varnothing$ 37 x 515 mm ( $\varnothing$ 1.46 x 20.28 in) Weight: 0.8 kg (1.76 lb)
GV-Mount927 (for standard US single and double gang boxes only)	Power Box Mount Bracket		Dimensions: $\varnothing$ 145 x 11.2 mm ( $\varnothing$ 5.71 x 0.44 in) Weight: 0.2 kg (0.44 lb)
GV-PA191	PoE Adapter		GV-PA191 is a Power over Ethernet (PoE) adapter designed to provide power to the IP device through a single Ethernet cable.
GV-PA301	Gigabit PoE Adapter		GV-PA301 is a Gigabit Power over Ethernet (PoE) adapter.
GV-POE Switch			GV-POE Switch is designed to provide power along with network connection for IP devices. The GV-POE Switch is available in various models with different numbers and types of ports.
Power Adapter			Contact our sales representatives for the countries and areas supported.

**Dimensions**



**Mounting Type**

Wall Bracket Mount GV-Mount211-4	Junction Box Mount GV-Mount506	Junction Box Mount GV-Mount506	Wall Bracket Mount GV-Mount211-6

Junction Box Mount GV-Mount506	Wall Bracket Mount GV-Mount211-6	Pole Bracket Mount GV-Mount470

Junction Box Mount	Pole Bracket Mount
GV-Mount506	GV-Mount470
